

About **HARRIS HARDWARE**

Harris Hardware was founded in 1909 in Brooklyn, NY. During our long history, we have been a leading supplier of hardware to various specialty markets. Since 1980 Harris has manufactured custom and stock hardware for the toilet partition industry. Today Harris supplies many of the largest toilet partition manufacturers in the world.

Our services include:

- ▶ Huge on-the-shelf inventory at our two U.S. locations
- ▶ Stocking hardware for small and medium size toilet partition manufacturers
- ▶ JIT monthly delivery programs for toilet partition manufacturers
- ▶ Over 500 stock items including components and sets
- ▶ Custom manufactured hardware for all types of toilet partitions
- ▶ Made-to-order items to customer specifications
- ▶ Custom packaging of brackets and other components
- ▶ Sales tools including: mini display doors for showrooms, literature, digital photos, and customized PDF files for our customer's websites
- ▶ Simplified ordering with customized quick order forms
- ▶ Fast delivery time — 97% of orders ship within 24 hours.

www.HarrisHardware.com

Harris Hardware's Index by Material :

Zamac

Complete Door Hardware Sets	
Square Edge Doors	4-9
Metal Round Edge Doors	10
Bracket Sets:	15
Individual Components:	
Brackets	14
Coat Hooks	17
Door Bumper	17
Door Pulls	17
Hinge Components*	4-9
Latches	17
Strike & Keepers	16

Stainless Steel, Cast

Complete Door Hardware Sets: (hinge plus all components)	
Square edge doors	16-19
Individual Components:	
Brackets	25
Door Components	24
Hinges	24

Stainless Steel, Stamped

Bracket Sets:	23
Individual Components:	
Brackets	22
Door Components	21
Hinges	20
Shoes	26

Aluminum

Hinges:	
8" Hinges	30-31
Full Length Hinges	28-29
Individual Components:	
Brackets	32
Door Components	33
Headrails	34

Miscellaneous

Headrails	34
Shoes	26
Shower Rod and Flanges	35
Tamper Proof Fasteners – Chrome Plated Steel	35
Tamper Proof Fasteners – Stainless	27
Toilet Paper Holders	35


*For replacement parts, refer to part numbers of components shown in complete sets on pages 4-9.

**Our hardware is found in over 1,000,000 public rest rooms throughout the world.
We can't list them all, but here are a few well known examples:**


- *Sports Stadiums:* Safeco Field – Seattle Mariners, Seattle, WA
- *Broadway Theaters:* St. James Theatre, New York, NY
- *Hospitals:* St. Francis Hospital, The Heart Center, Long Island, NY
- *Resorts:* Mount Snow Resort, Mt. Snow, VT
- *Schools:* Robert Seaman School, Jericho, NY
- *Stores:* Wal-mart Stores
- *Country Clubs:* Tam O'Shanter Club, Brookville, NY
- *Restaurants:* Olive Garden
- *Airports:* Denver Airport, Denver, CO
- *Race Tracks:* Juliett Speedway, Chicago, IL
- *Amphitheatres:* Polaris Concert Amphitheater, Columbus, OH

Harris Hardware's Index by Product:


Complete Door Hardware Sets:

	Zamac	7/8" Door – 1-1/4" Pilaster	4-5
		1" Door – 1-1/4" Pilaster	6-9
		Custom for Metal Doors	10
	Stainless Steel	7/8" Door – 1-1/4" Pilaster	16-17
		1" Door – 1-1/4" Pilaster	18-19


Brackets:

	Aluminum	32
	Stainless Steel, Cast	25
	Stainless Steel, Stamped	
	Individual Parts	22
	Sets	23
	Zamac	
	Individual Parts	14
	Sets	15

Coat Hooks:

	Stainless Steel, Cast	24
	Stainless Steel, Stamped	21
	Zamac	11

Door Bumpers:

	Stainless Steel, Cast	24
	Stainless Steel, Stamped	21
	Zamac	11

Door Pulls:

	Stainless Steel, Cast	24
	Stainless Steel, Stamped	21
	Zamac	11

Fasteners:

	Stainless Steel	27
	Steel	36

Headrails:

Aluminum	34
--------------------	----




Hinges:

	Aluminum	8" Surface Mount	30-31
		Full Length	28-29
	Stainless Steel	6" Surface Mount	20
		Complete Sets	16-19
	Zamac	Complete 7/8" Door	4-5
		Complete 1" Door	6-9

For replacement parts refer to part numbers of components shown in complete sets on pages 4 - 9.

Latches:

	Aluminum	33
	Stainless Steel, Cast	24
	Stainless Steel, Stamped	21
	Zamac	13


Shoes:



Shower Rod & Flanges:



Strike & Keepers:

	Aluminum	33
	Stainless Steel, Cast	24
	Stainless Steel, Stamped	21
	Zamac	12

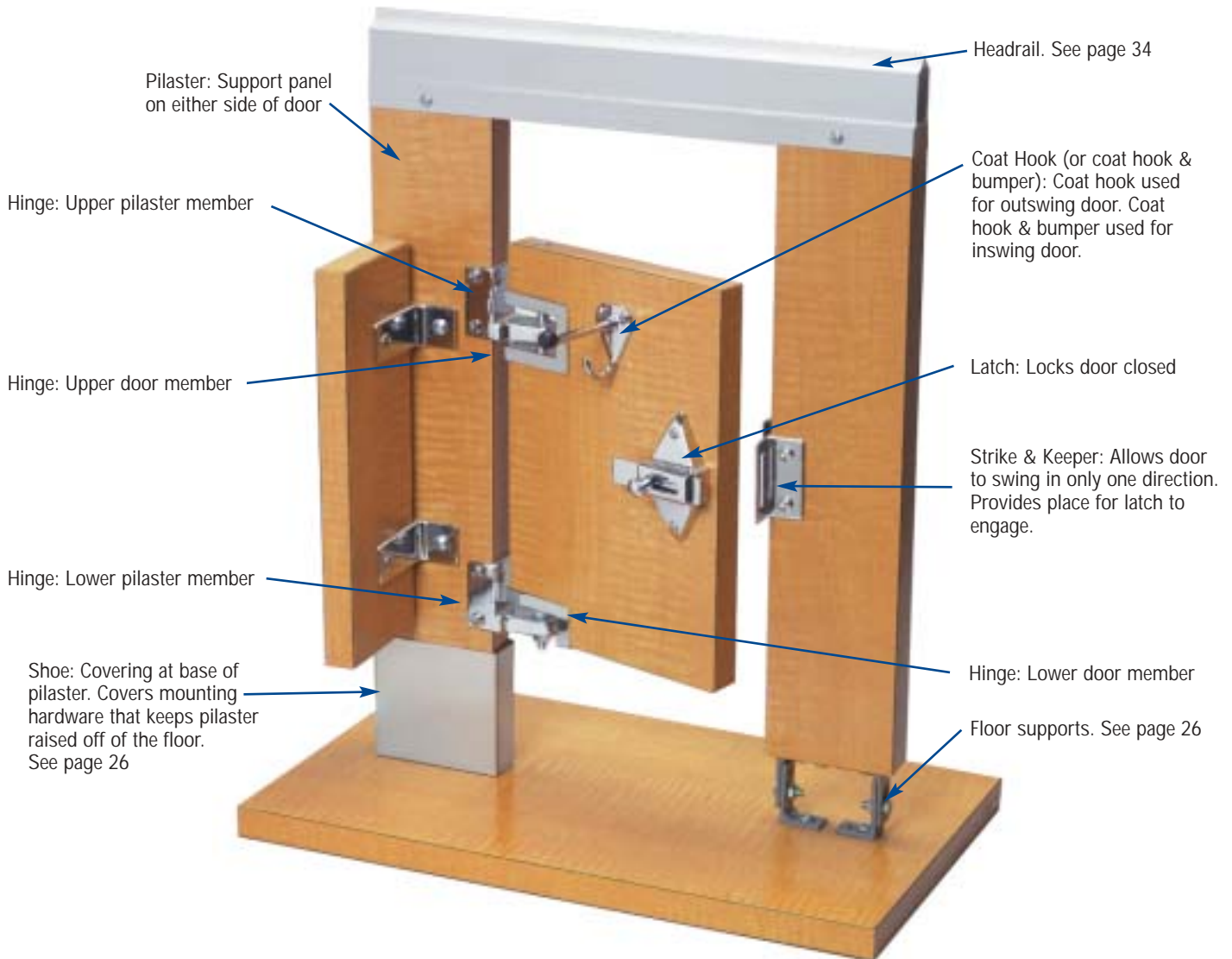
Toilet Paper Holders:



Harris Hardware's Door Components

Typical insert door hardware set (Zamac or Stainless).

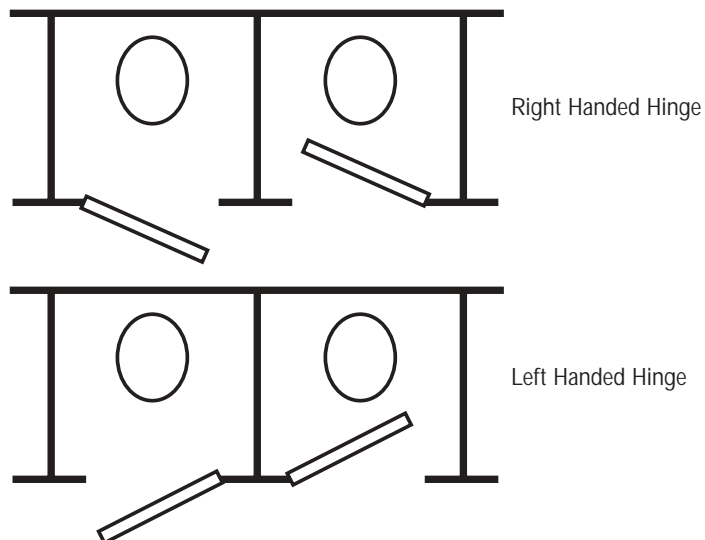
Complete sets shown on pages 4 through 9 (Zamac) and pages 16 through 19 (Stainless).



Definition of left and right surface mounted hinges:

Refers to following hinges:

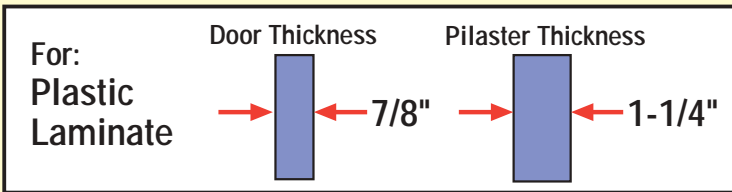
- Aluminum hinges on pages 30-31
- Continuous hinges on pages 28-29
- Stainless hinges on page 20



Harris Hardware's Complete Door Hardware Sets

Sets are packed in individual boxes. Set includes all items needed to mount one door. Each box contains one complete set. The box contains all items shown on this page.

Part # **27800** **Zamac** **Outswing**



- ▶ Each box contains all items shown on this page
- ▶ Includes all fasteners for mounting
- ▶ Self-Closing with adjustable closing position. Door can be easily set to fully close or to stay open at any angle.
- ▶ Heavy Duty Chrome Plated Finish on Durable Zamac Casting
- ▶ Hinges wrap around pilaster and mount with through bolts to provide strong attachment
- ▶ Hinges are recessed into door for a clean look
- ▶ Hinge pin is zinc plated for extra durability
- ▶ Through bolts are chrome plated to match hardware and have one-way tamperproof heads
- ▶ Packaging: One complete set per box: 1.9 lbs.
20 boxes per case: 39 lbs.



TP5210-0



TP4020-CP

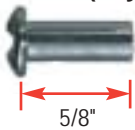


TP5020-CP



863-PC

TP9713 (Qty. 6)



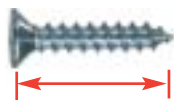
5/8"

TP9823 (Qty. 6)



1-5/16"

1x10-FZN (Qty. 2)
For door hinge.



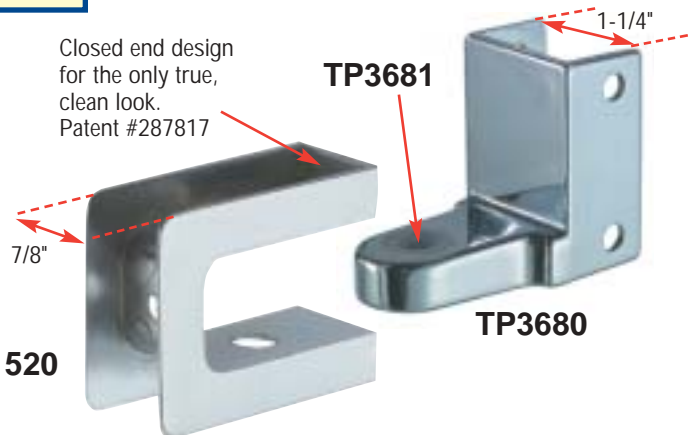
#10 x 1"

TP9193 (Qty. 2)
For coat hook.



3/4"
#10 x 3/4"

Closed end design for the only true, clean look. Patent #287817



TP1520

TP3681

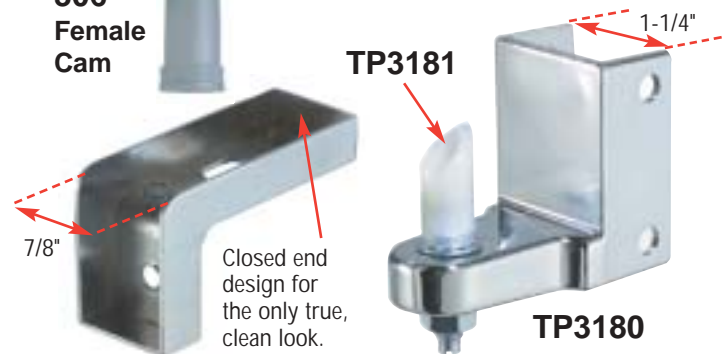
TP3680

TP9463 (Qty. 2)
Attaches through slide latch and into pull.



1-3/8"

306 Female Cam



TP1510

TP3181

TP3180

Closed end design for the only true, clean look. Patent #287817

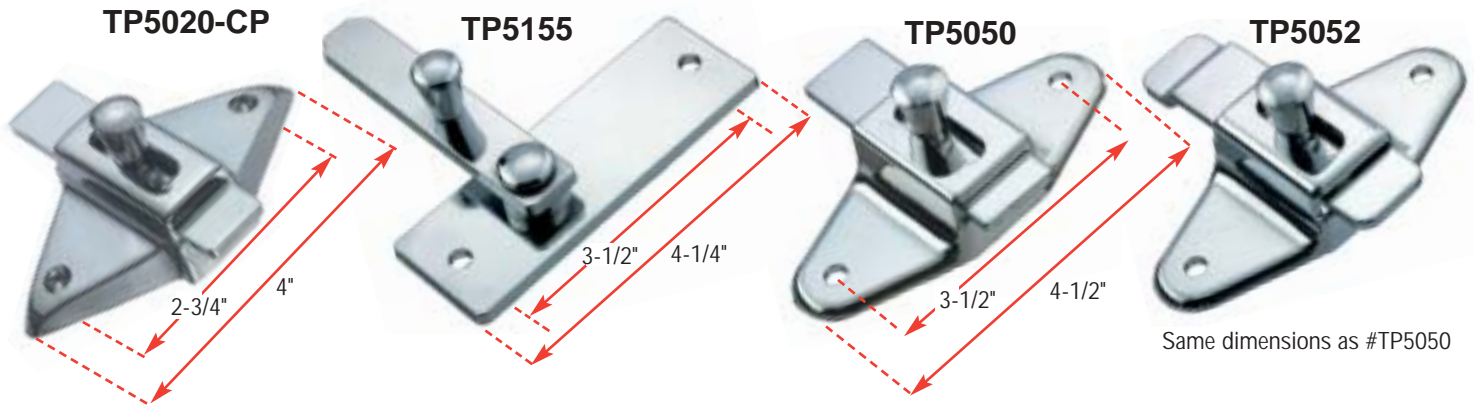
305 Top Pin



Harris Hardware's Door Latches

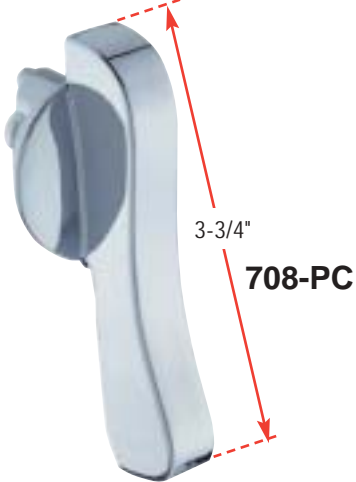
Die Cast Zamac Chrome Plated Finish – Individual components for replacement hardware.

For new installations, use complete sets shown on pages 4 – 11.



Same dimensions as #TP5050

Concealed Latch Components:



708-PC



759-PC



**777-PC (for metal door)
767-PC (for plastic door)**



766 Internal component for metal door (see page 10 for more information on metal doors)



748

749

Internal components for plastic laminate door



TP1380



TP1390

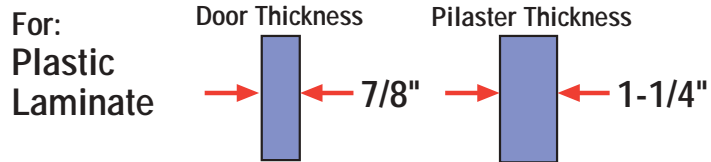
Packaging Information

	Part #	Description	Master Carton			Inner Box	
			Quantity	Dimensions	Wt. (lbs.)	Qty.	Wt. (lbs.)
Latches:	TP5020-CP	Slide Latch	200	12 x 8-1/4 x 19-3/4	54.4	20	5.3
	TP5050	Slide Latch	100	12-1/2 x 7-1/2 x 19-1/2	38.7	10	3.7
	TP5052	Offset Latch	100	11-1/2 x 8 x 17-3/4	36.9	10	3.6
	TP5155	Swing Latch	100	11-1/2 x 7-1/2 x 19	31.3	10	3.0
	708-PC	Handicap Latch	200	12 x 8-1/4 x 20	65.4	20	6.4
	759-PC	Female Latch Knob	300	10 x 7 x 7	25.6	50	4.1
	777-PC	Male Latch Knob	200	8 x 6-1/2 x 20	39.6	50	9.6
	748	Concealed Cam	100	6 x 6 x 6	3.5	—	—
	749	Concealed Slide Bolt	100	6 x 6 x 6	6.8	—	—

Harris Hardware's Complete Door Hardware Sets

Sets are packed in individual boxes. Set includes all items needed to mount one door.
Each box contains one complete set. The box contains all items shown on this page.

Part # 10014 Cast Stainless Inswing



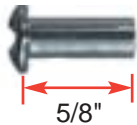
- ▶ Each box contains all items shown on this page
- ▶ Includes all fasteners for mounting
- ▶ Self-Closing with adjustable closing position. Door can be easily set to fully close or to stay open at any angle.
- ▶ Heavy Duty Cast Stainless Steel is stronger and more durable than Zamac
- ▶ Hinges wrap around pilaster and mount with through bolts to provide strong attachment
- ▶ Hinges are recessed into door for a clean look
- ▶ Hinge pin is zinc plated for extra durability
- ▶ Through bolts are Stainless Steel to match hardware and have one-way tamperproof heads
- ▶ Packaging: One complete set per box: 2.5 lbs.
20 boxes per case: 52 lbs.



Closed end design for the only true, clean look.
Patent #287817



TP9719 (Qty. 6)

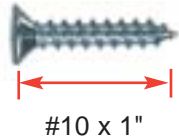


TP9829 (Qty. 6)



1x10-FZN (Qty. 2)

For door hinge.



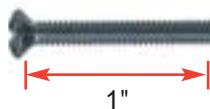
TP9193 (Qty. 2)

For coat hook.



TP9423 (Qty. 2)

For slide latch.

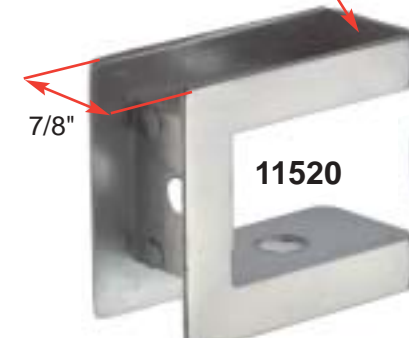


TP9763 (Qty. 2)

For slide latch.



305 Top Pin



306 Female Cam



Closed end design for the only true, clean look.
Patent #287817



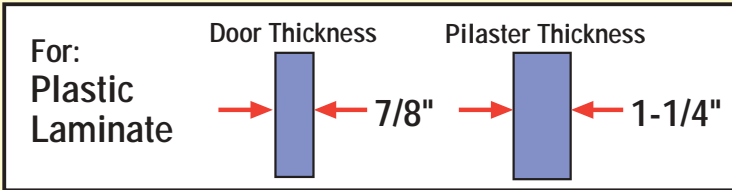
13180

Stainless Steel

Harris Hardware's Complete Door Hardware Sets

Sets are packed in individual boxes. Set includes all items needed to mount one door.
Each box contains one complete set. The box contains all items shown on this page.

Part # 10015 Cast Stainless Outswing



- ▶ Each box contains all items shown on this page
- ▶ Includes all fasteners for mounting
- ▶ Self-Closing with adjustable closing position. Door can be easily set to fully close or to stay open at any angle.
- ▶ Heavy Duty Cast Stainless Steel is stronger and more durable than Zamac
- ▶ Hinges wrap around pilaster and mount with through bolts to provide strong attachment
- ▶ Hinges are recessed into door for a clean look
- ▶ Hinge pin is zinc plated for extra durability.
- ▶ Through bolts are Stainless Steel to match hardware and have one-way tamperproof heads
- ▶ Packaging: One complete set per box: 2.4 lbs.
20 boxes per case: 52 lbs.



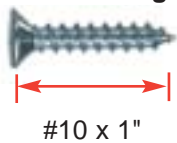
TP9719 (Qty. 6)



TP9829 (Qty. 6)



1x10-FZN (Qty. 2)
For door hinge.



TP9193 (Qty. 2)
For coat hook.



TP9463 (Qty. 2)

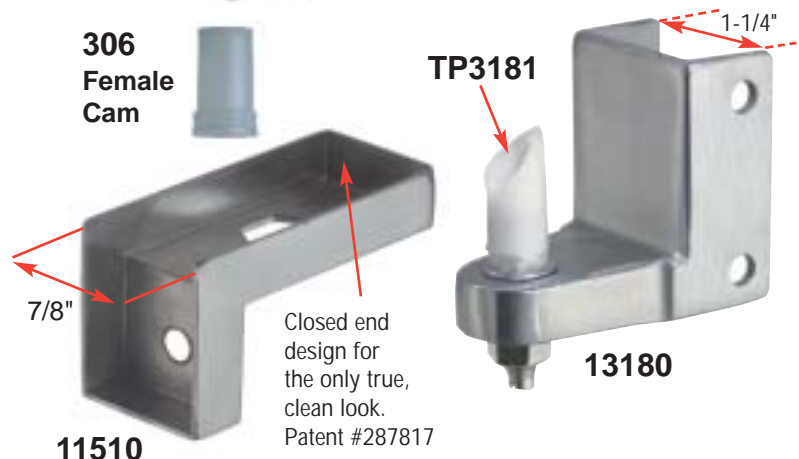
Attaches through slide latch and into pull.



305 Top Pin



306 Female Cam

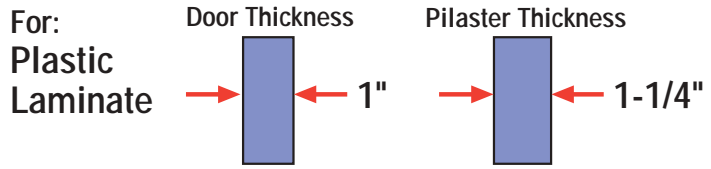


Stainless Steel
Stainless Steel
Stainless Steel

Harris Hardware's Complete Door Hardware Sets

Sets are packed in individual boxes. Set includes all items needed to mount one door.
Each box contains one complete set. The box contains all items shown on this page.

Part # 10012 Cast Stainless Inswing



- ▶ Each box contains all items shown on this page
- ▶ Includes all fasteners for mounting
- ▶ Self-Closing with adjustable closing position. Door can be easily set to fully close or to stay open at any angle.
- ▶ Heavy Duty Cast Stainless Steel is stronger and more durable than Zamac
- ▶ Hinges wrap around pilaster and mount with through bolts to provide strong attachment
- ▶ Hinges are recessed into door for a clean look
- ▶ Hinge pin is zinc plated for extra durability
- ▶ Through bolts are Stainless Steel to match hardware and have one-way tamperproof heads
- ▶ Packaging: One complete set per box: 2.5 lbs.
20 boxes per case: 52 lbs.



Closed end design for the only true, clean look. Patent #287817



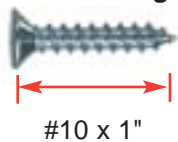
TP9719 (Qty. 6)



TP9829 (Qty. 6)



1x10-FZN (Qty. 2)
For door hinge.



TP9193 (Qty. 2)
For coat hook.



TP9443 (Qty. 2)
For slide latch.



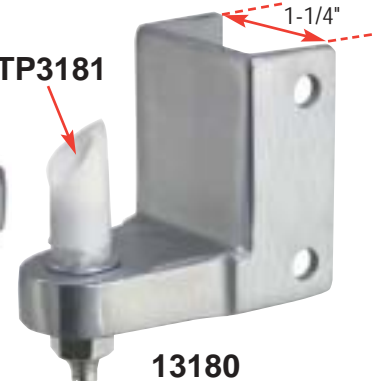
TP9763 (Qty. 2)
For slide latch.



306 Female Cam



TP3181



305 Top Pin



12400



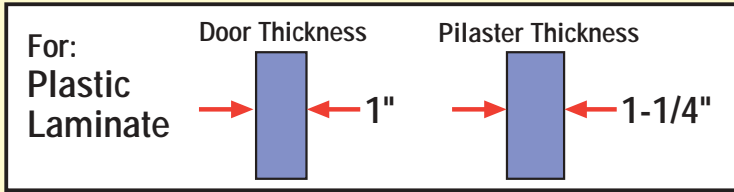
Closed end design for the only true, clean look. Patent #287817

Stainless Steel

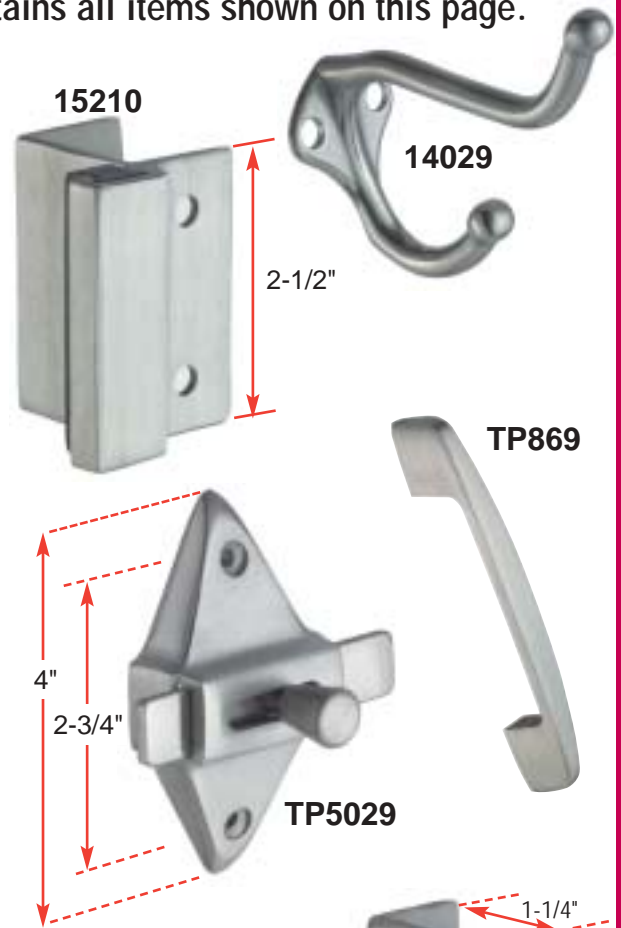
Harris Hardware's Complete Door Hardware Sets

Sets are packed in individual boxes. Set includes all items needed to mount one door. Each box contains one complete set. The box contains all items shown on this page.

Part # 10013 Cast Stainless Outswing



- ▶ Each box contains all items shown on this page
- ▶ Includes all fasteners for mounting
- ▶ Self-Closing with adjustable closing position. Door can be easily set to fully close or to stay open at any angle.
- ▶ Heavy Duty Cast Stainless Steel is stronger and more durable than Zamac
- ▶ Hinges wrap around pilaster and mount with through bolts to provide strong attachment
- ▶ Hinges are recessed into door for a clean look
- ▶ Hinge pin is zinc plated for extra durability
- ▶ Through bolts are Stainless Steel to match hardware and have one-way tamperproof heads
- ▶ Packaging: One complete set per box: 2.4 lbs.
20 boxes per case: 52 lbs.



Closed end design for the only true, clean look. Patent #287817

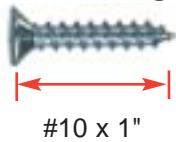
TP9719 (Qty. 6)



TP9829 (Qty. 6)



1x10-FZN (Qty. 2)
For door hinge.



TP9193 (Qty. 2)
For coat hook.

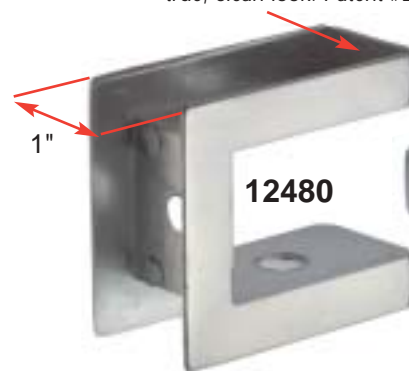


TP9483 (Qty. 2)

Attaches through slide latch and into pull.



305
Top Pin



306
Female
Cam



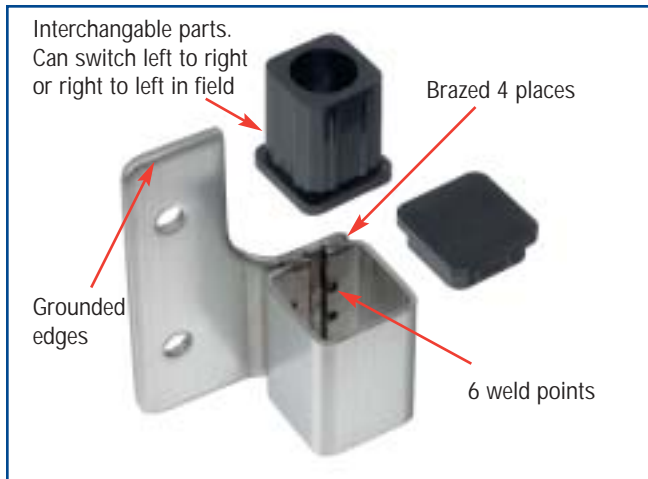
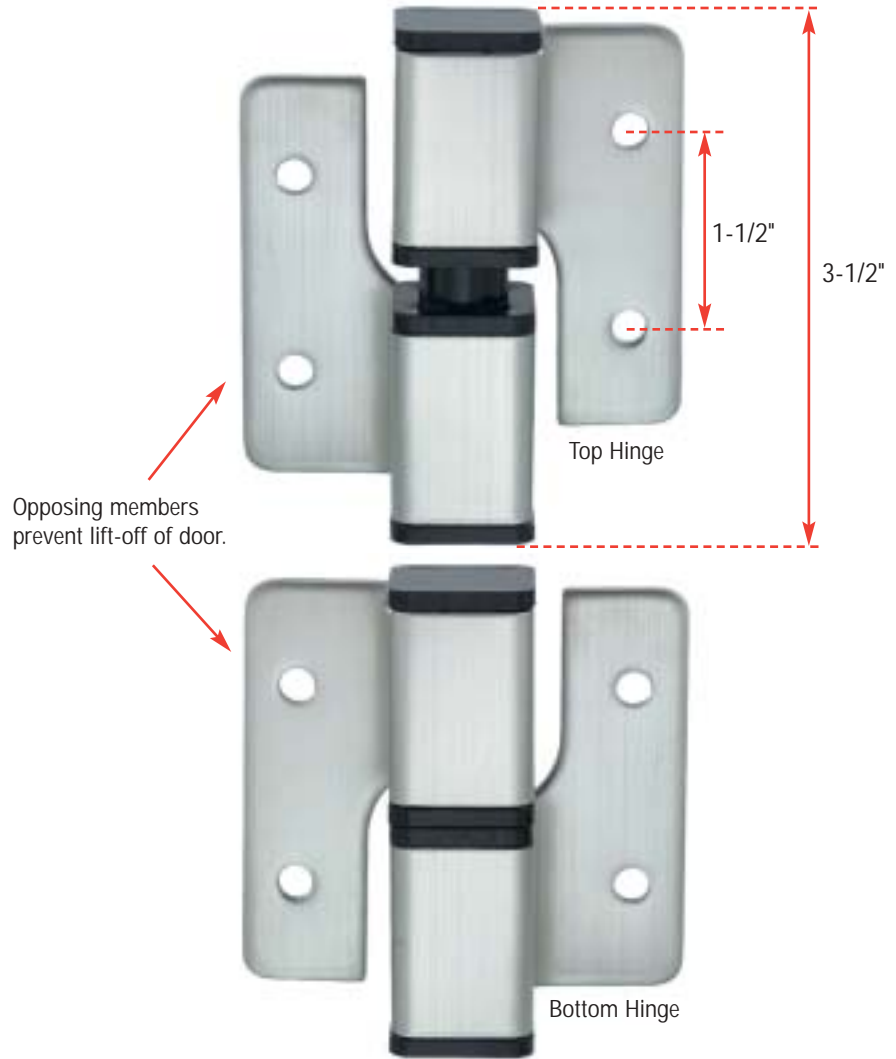
TP3181



Harris Hardware's Stainless Steel Hinges for Toilet Partitions

TP8410 & TP8411

- ▶ Each set includes top hinge & bottom hinge. Each set is suitable for one door.
- ▶ Surface mounted. Suitable for any thickness door & pilaster.
- ▶ 1018 cold rolled stainless steel
- ▶ 3/16" thick stainless
- ▶ Self-closing
- ▶ Adjustable position. Door can be set to fully close or stay ajar. Field adjustable — instructions included with each hinge.
- ▶ Stainless steel pin covered in nylon outer
- ▶ Grounded edges
- ▶ Brazed and welded for superior strength
- ▶ Use stainless steel through bolts for mounting (sold separately, see page 27)

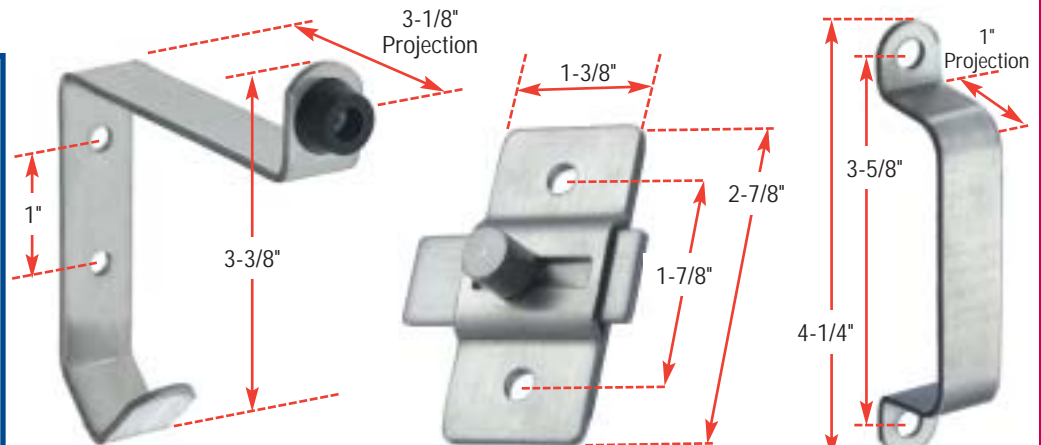


Part #	Description	Quantity	Dimensions	Wt.
TP8410	Hinge set – Left. Full pair; includes top and bottom hinges.	40 sets	15.5" x 11" x 9"	45.2 lbs.
TP8411	Hinge set – Right. Full pair; includes top and bottom hinges.	40 sets	15.5" x 11" x 9"	45.2 lbs.
TP8412	Half pair – Left. Use with TP8410 to create 3 hinge set for larger doors.	40 sets	15" x 11" x 9-1/4"	19.8 lbs.
TP8413	Half pair – Right. Use with TP8411 to create 3 hinge set for larger doors.	40 sets	15" x 11" x 9-1/4"	19.8 lbs.

See diagram on bottom of page 3 to determine whether you need left hinge or right hinge.

Stamped Stainless Steel Door Components

- ▶ Cold Rolled Stainless Steel
- ▶ Matches Stainless Steel Stamped Brackets (page 22)
- ▶ Emergency Access strike and keepers
- ▶ Holes centers on pull and slide latch match up. Drill only one set of holes in door and mount with through bolts.
- ▶ Durable stainless steel will not rust
- ▶ Use with stainless steel fasteners (sold separately, see page 27)



TP4003

TP5023

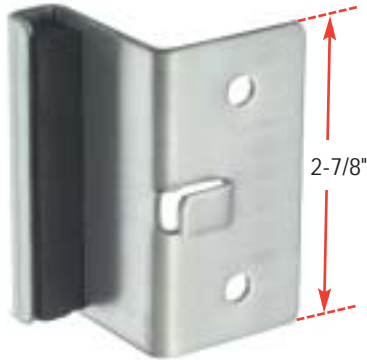
TP5403



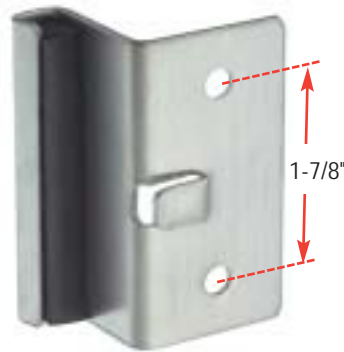
TP7313



TP7333



TP8500



TP8520



TP8600



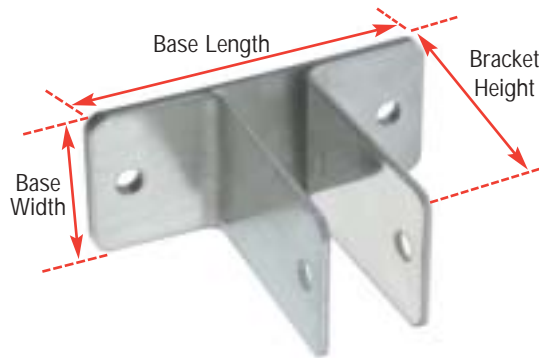
TP8620

Part #	Description	Quantity	Master Carton Dimensions	Wt	Inner Box
TP4003	Coat Hook & Bumper	200	9"x11-1/2"x8-1/2"	21.	N/a
TP5023	Slide Latch	230	15"x7"x10-3/4"	60.	N/a
TP5403	Door Pull	540	13"x14"x11"	43.	N/a
TP7313	Door Bumper	300	16"x11-1/2"x10"	40.	N/a
TP7333	1" Headrail Bracket	500	11"x10"x11-1/2"	29.	N/a
TP8500	Inswing – 1" Door, 1" or 1-1/4" Pilaster	190	12-1/2"x9-1/2"x11"	54.	N/a
TP8520	Inswing – 3/4" Door, 3/4" or 1" pilaster	200	11-1/2"x8-1/2"x11"	50.	N/a
TP8600	Outswing – 1" Door, 1" or 1-1/4" Pilaster	250	11-1/2"x10-1/2"x11-1/2"	52.	N/a
TP8620	Outswing – 3/4" Door, 3/4" or 1" pilaster	200	14"x9-1/2"x8-1/2"	38.	N/a

Harris Hardware's Stamped Stainless Steel Brackets

For Walls, Urinal Screens, Alcoves, and Pilasters. High Quality — Extremely Durable.

- ▶ Heavy duty stainless steel
- ▶ Rounded corners
- ▶ Use with stainless steel fasteners (see page 27)
- ▶ High quality
- ▶ Extremely durable
- ▶ For Headrail Bracket & Matching Door Components (see page 23)
- ▶ See page 37 for carton quantities



Two Ear Wall Brackets:

Part #	Panel Thickness	Bracket Height	Base Length	Base Width
11569	1/2"	2-1/2"	3-1/4"	1-1/2"
11629	3/4"	2-1/2"	3-5/8"	1-1/2"
11759	1"	2-1/2"	3-11/16"	1-1/2"

One Ear Wall Brackets:

Part #	Panel Thickness	Bracket Height	Base Length	Base Width
11579	1/2"	2-1/2"	1-7/8"	1-1/2"
11649	3/4"	2-1/2"	2-1/8"	1-1/2"
11659	7/8"	2-1/2"	2-5/16"	1-1/2"
11769	1"	2-1/2"	2-7/16"	1-1/2"
11849	1-1/4"	2-1/2"	2-3/4"	1-1/2"



11289
11469



12209
12269

Two Ear Urinal Brackets:

Part #	Panel Thickness	Bracket Height	Base Length	Base Width
11289	1"	3-3/4"	3-3/4"	1-1/2"
11469	1/2"	2-1/2"	3-1/4"	1-1/2"
12209	1/2"	2-1/2"	3-5/8"	3"
12269	1"	2-1/2"	3-5/8"	3"



One Ear Mini-Wall Brackets:

Part #	Panel Thickness	Bracket Height	Base Length	Base Width
11679	3/4"	1-1/2"	2-5/16"	1-1/2"
11689	3/4"	1-15/16"	2-5/16"	1-1/2"
11819	1-1/4"	1-15/16"	2-1/2"	1-1/2"



"U" Brackets:

Part #	Panel Thickness	Bracket Height	Base Length	Base Width
11879	1/2"	1-1/2"	5/8"	1-1/2"
11899	3/4"	1-1/2"	7/8"	1-1/2"
11909	7/8"	1-1/2"	1"	1-1/2"
11919	1"	1-1/2"	1-1/4"	1-1/2"

Extra Long "U" Brackets:

Part #	Panel Thickness	Bracket Height	Base Length	Base Width
11999	1/2"	2-1/2"	5/8"	1-1/2"
11989	3/4"	2-1/2"	7/8"	1-1/2"
11929	1"	2-1/2"	1-1/4"	1-1/2"
11959	1-1/4"	2-3/8"	1-7/16"	1-1/2"

Alcove Bracket:

Part #	Description
18349	For 1/4" offset in panel thickness

Stainless Steel

Harris Hardware's Stamped Stainless Steel Pre-Packaged Bracket Sets

Each pack contains all the necessary fasteners for mounting.

- ▶ Heavy duty stainless steel
- ▶ Same high quality as shown on page 22
- ▶ Pre-packaged sets save time & money
- ▶ Eliminate counting of individual screws
- ▶ Pre-packaged with anchors and stainless steel fasteners in heavy-duty, see-through plastic bag for easy identification
- ▶ Packaged to order. Please allow 2 weeks for packaging
- ▶ Packed 50 sets per carton

Pilaster Packs



Part #	Panel Thickness	Contents	
15819	3/4"	(2) #11649 (4) Anchors	(4) 2" Screws (2) sets Through Bolts
15259	1"	(2) #11769 (4) Anchors	(4) 2" Screws (2) sets Through Bolts
TP15239	1-1/4"	(2) #11849 (4) Anchors	(4) 2" Screws (4) 5/8" Screws

Mini-Pilaster Pack



Part #	Panel Thickness	Contents	
15829	1-1/4"	(2) #11819 (4) Anchors (4) 2" Screws	(4) 5/8" Screws

Panel Packs



Part #	Panel Thickness	Contents	
15119	1/2"	(2) #11579 (4) 5/8" Screws (4) Anchors	(2) #11879 (4) 2" Screws (4) sets Through Bolts
15019	3/4"	(2) #11649 (12) 5/8" Screws (4) Anchors	(2) #11899 (4) 2" Screws
TP15059	1"	(2) #11769 (12) 5/8" Screws (4) Anchors	(2) #11919 (4) 2" Screws

Alcove Packs



Part #	Panel Thickness	Contents	
15359	1/2"	(2) #11569 (4) 2" Screws (6) sets Through Bolts	(4) 18349 (4) Anchors



15009	1/2"	(2) #11569 (4) 2" Screws (4) 5/8" Screws	(2) 11879 (4) sets Through Bolts (4) Anchors
15109	3/4"	(2) #11629 (4) 2" Screws (4) Anchors	(2) 11899 (12) 5/8" Screws
TP15039	1"	(2) #11759 (4) 2" Screws (4) Anchors	(2) 11919 (12) 5/8" Screws

Urinal Screen Packs

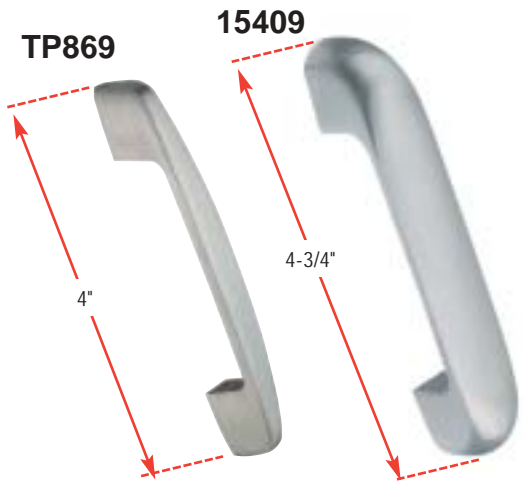
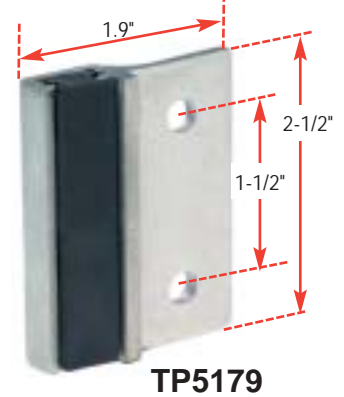
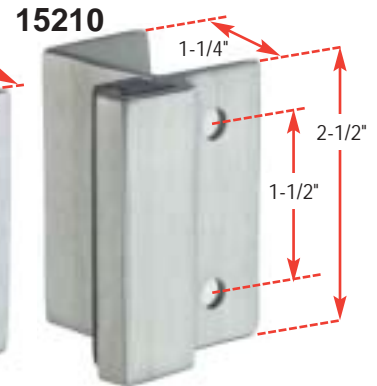
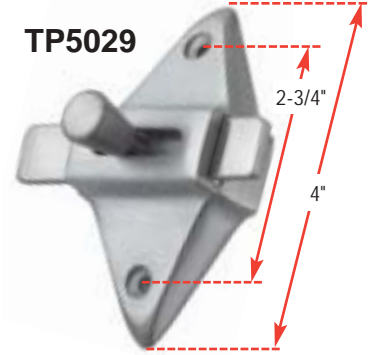
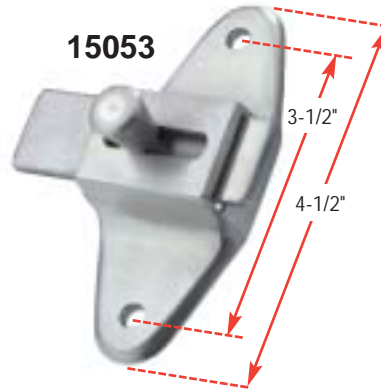


Part #	Panel Thickness	Contents	
15399	1/2"	(3) #11469 (x-long 2 ear brackets) (6) Anchors (6) sets Through Bolts	(6) 2" Screws
TP15449	1"	(2) #11289 (x-long 2 ear brackets) (6) 2" Screws (6) Anchors	(8) 5/8" Screws

Cast Stainless Steel Hardware

Purchase components or complete sets. See pages 16-19 for complete door sets.

- ▶ High end premium product
- ▶ For a high-end installation where the quality, the look, the feel and the durability are the # 1 requirements
- ▶ Cast stainless steel. No plating that can wear over time.
- ▶ One solid piece. No welds or joints like stamped s/s brackets.
- ▶ Higher strength than cast zamac
- ▶ Stainless steel fasteners sold separately (see page 27)
- ▶ Purchase components or complete sets (see pages 16-19)



Part #	Description	Quantity	MASTER CARTON		INNER BOX		
			Dimensions (L x W x H)	Wt	Inner Qty.	Inner wt.	Inner dimension
TP869	Pull (2-3/4" & 3" centers)	250	10"x15"x7-1/4"	37.	50	7.5	6-3/4"x3"x4-3/4"
TP5029	Slide Latch	100	11-1/2"x19-1/2"x7-1/2"	45.	10	4.4	7"x3-1/2"x5-1/4"
TP5169	Inswing Keeper (used w/ TP5179)	250	9-1/2"x6-1/2"x12"	39.	25.	3.75	6"x4-1/2"x2"
TP5179	Strike & Keeper – outswing for any thickness pilaster	500	11-1/2"x7-1/4"x8"	75.	50	7.5	7-1/2"x3-1/2"x5-1/2"
15053	Slide Latch	100	12"x19-3/4"x8"	47.	10	4.6	7-1/2"x3-3/4"x5-3/4"
15110	Inswing strike & keeper 1-1/4" pilaster – 1" door	100	11-1/2"x13"x5-3/4"	47.	—	—	—
15210	Outswing strike & keeper 1-1/4" pilaster – 1" door	100	9-1/2"x12"x6-1/2"	42.	—	—	—
15409	Pull (3-1/2" center to center)	100	9-1/2"x6-1/2"x11-3/4"	40.	10	3.9	6"x4-1/2"x2-1/4"
15513	Strike & Keeper 1-1/4" metal pilaster	150	11-1/2"x19"x7-3/4"	42.	15	4.0	7"x3-1/2"x3-1/2"

Stainless Steel

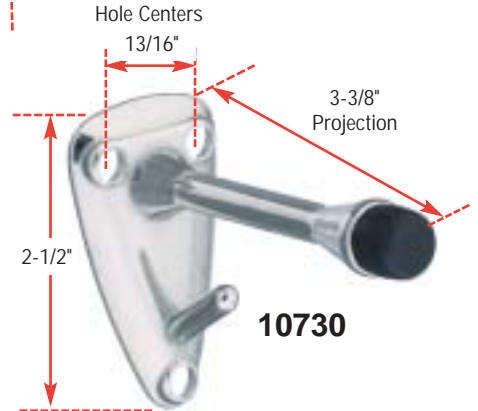
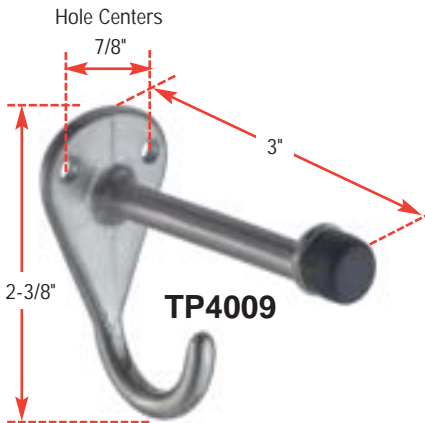
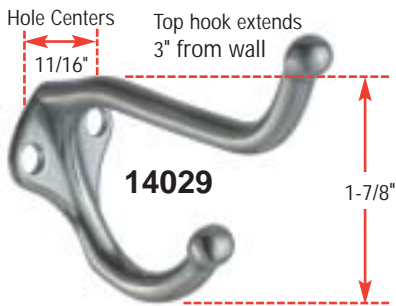
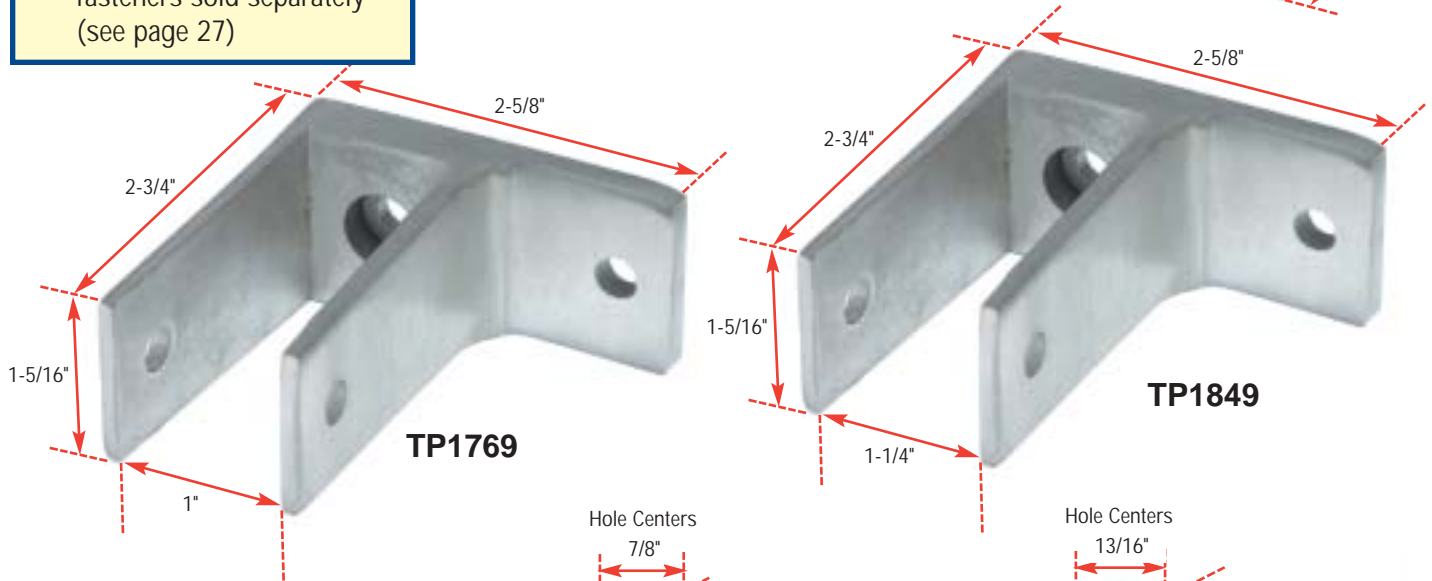
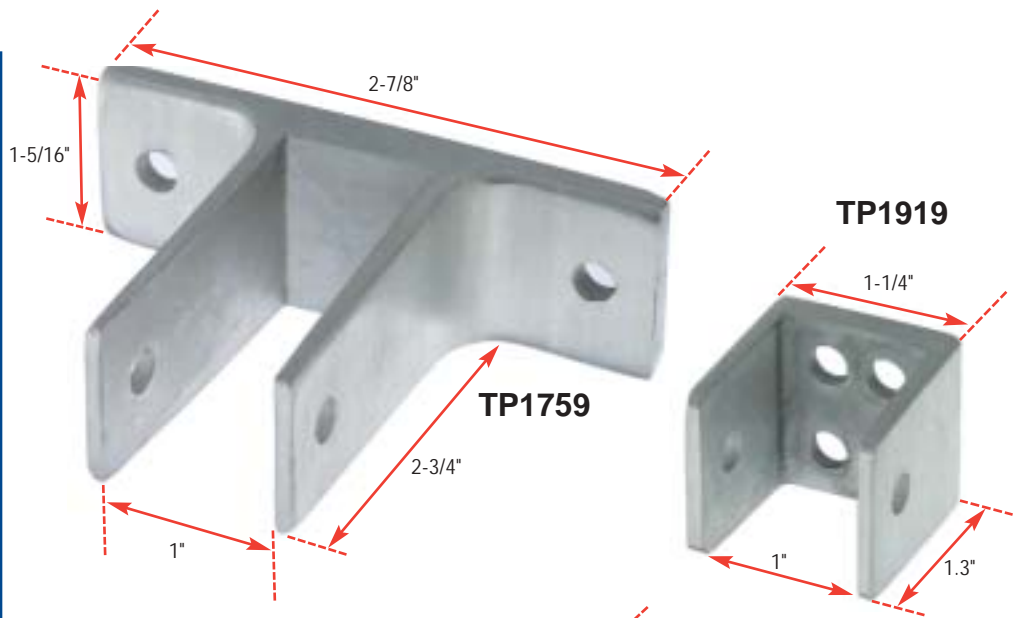
Cast Stainless Steel Brackets and Coat Hooks

Stainless Steel

Stainless Steel

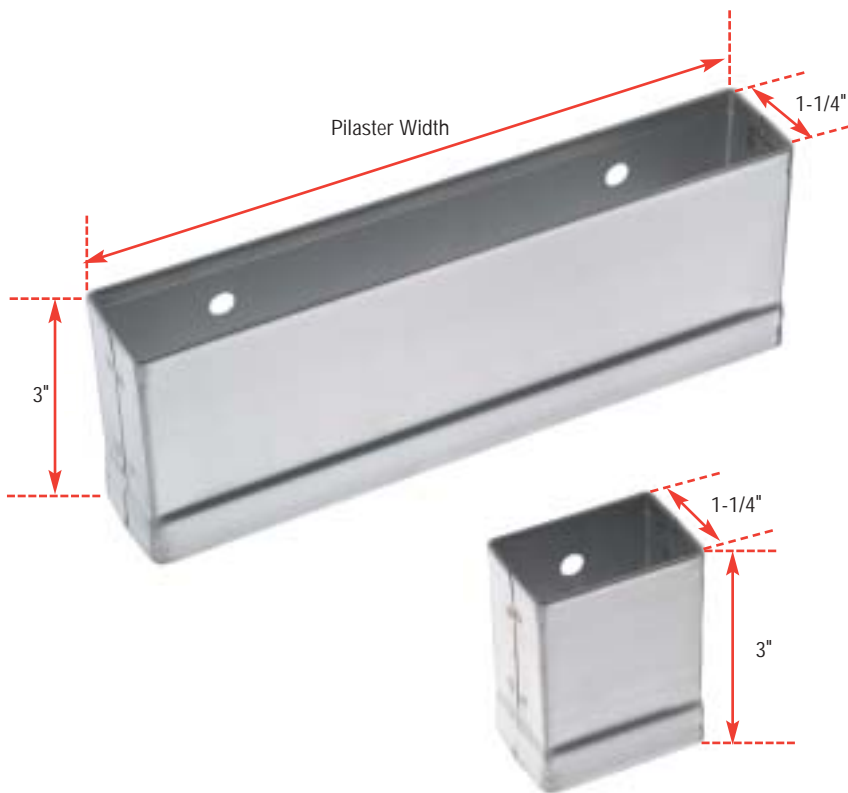
Stainless Steel

- ▶ High-end premium brackets
- ▶ For a high-end installation where the quality, the look, the feel and the durability are the #1 requirements
- ▶ Cast stainless steel. No plating that can wear over time
- ▶ One solid piece, no welds
- ▶ Higher strength than cast zamac
- ▶ Use with stainless steel fasteners sold separately (see page 27)



Part #	Description	MASTER CARTON			INNER BOX		
		Quantity	Dimensions (L x W x H)	Wt	Inner Qty.	Inner wt.	Inner dimension
TP1759	Two ear bracket – for 1" thick partition	128	17" x 6" x 12-1/2"	57.	—	—	—
TP1769	One ear bracket – for 1" thick partition	200	17" x 6" x 12-1/2"	84.	—	—	—
TP1849	One ear bracket – for 1-1/4" thick partition	200	17" x 6" x 12-1/2"	76.	—	—	—
TP1919	'U' bracket – for 1" thick partition	500	10" x 15" x 7"	80.	—	—	—
TP4009	Coat Hook & Bumper	500	10-1/2"x22"x10-1/2"	78.	50	7.9	10"x4-1/2"x5"
10730	Coat Hook & Bumper	250	10-3/4"x7"x22-1/2"	52.	50	9.5	10"x6-1/4"x4-1/4"
14029	Coat Hook	500	12"x19-1/2"x8-1/2"	53.	50	4.9	7-1/2"x3-1/2"x5-3/4"

Harris Hardware's Stainless Steel Shoes



Stainless Steel shoes for 1-1/4" thick pilasters. 3" Height

TP38 Series – Shoes complete with brackets
(includes TP3798 or TP3799
as required)

TP39 Series – Shoes only

Part # Shoes Only	Part # Shoes with Brackets	Pilaster Width
TP3900	TP3800	2"
TP3909	TP3809	3"
TP3919	TP3819	4"
TP3929	TP3829	5"
TP3939	TP3839	6"
TP3937	TP3837	7"
TP3949	TP3849	8"
TP3979	TP3879	9"
TP3959	TP3859	10"
TP3969	TP3869	12"
TP3981	TP3881	18"

Brackets for mounting Stainless Steel shoes

TP3798 – One bracket per bag
with screws & washers

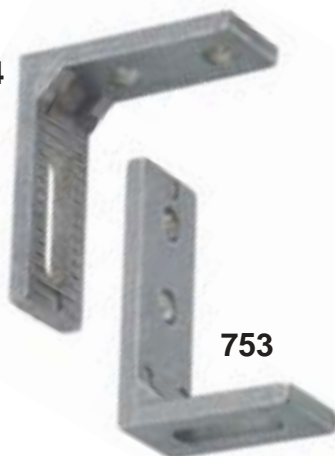
TP3799 – Two brackets per bag
with screws & washers



TP3799 (components shown)

Pilaster Mounting Hardware

754



753

742 – Riser Nut

753 – Floor Bracket, 1-7/8" x 1-1/4" — 11/16" wide

754 – Mounting Bracket, 1-3/4" x 1-5/8" — 11/16" wide



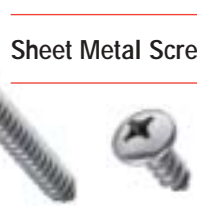


742

Harris Hardware's Stainless Steel Fasteners

For chrome plated steel fasteners, see page 36.

- ▶ Stainless steel
- ▶ For severe applications
- ▶ Designed for use with stainless steel hardware and aluminum hardware
- ▶ Will not rust
- ▶ Shoulder bolts & barrel nuts are one-way drive (tamper proof)
- ▶ Available in bulk or mini-packs (100 pieces)
- ▶ Specially designed for use with partition hardware — 1/4" shoulder to fit hardware
- ▶ Shoulder bolts and barrel nuts are sold separately but used in sets (1:1 ratio)

		Bulk Pack	Mini-pack
		Packed: 5,000 / ctn 1,000 / bag	Packed: 100 / box
		Order by the number of screws in multiples of 1,000	Order by the number of boxes (1 box = 100 screws)
	Size	Part Number	Part Number
Shoulder Bolts: 10/24 thread; One-way drive			
	1/2"	97790	97793
	3/4"	TP9789	97893
	15/16"	TP9799	97993
	1-1/16"	TP9809	98093
	1-3/16"	TP9819	98193
	1-5/16"	TP9829	98293
Barrel Nuts: 10/24 thread; One-way drive			
	1/2"	TP9709	97093
	5/8"	TP9719	97193
Sheet Metal Screws: Pan Head; Phillips			
	#14 x 5/8"	91123	91103
	#14 x 2"	91223	91203

For chrome plated steel fasteners, see page 36.

Guide to fastener selection

Item	Pilaster, panel or door thickness	Shoulder bolt length	Barrel Nut length
Cast s/s strike & keepers Part # 15110, 15210, 15513	1-1/4"	1-5/16"	5/8"
1/2" stamped s/s brackets	1/2"	1/2"	1/2"
3/4" stamped s/s brackets	3/4"	3/4"	1/2"
7/8" stamped s/s brackets	7/8"	15/16"	5/8"
1" stamped or cast s/s brackets	1"	1-1/16"	5/8"
1-1/4" stamped or cast s/s brackets	1-1/4"	1-5/16"	5/8"
Hinges Part # TP8410 or TP8411	3/4"	3/4"	1/2"
	7/8"	15/16"	5/8"
	1"	15/16"	5/8"
	1-1/4"	1-1/16"	5/8"

Aluminum Full Length Self-Closing Hinge

- ▶ For the most severe applications. Heavy duty — excellent for regular doors or oversized handicap doors.
- ▶ Self-closing. Five heavy duty springs on each hinge.
- ▶ Emergency access (hinge can lift 1.5")
- ▶ 1/4" thick heavy duty stainless steel pin
- ▶ 1/2" diameter knuckle
- ▶ Decorative cover plate in bright aluminum finish. Matches hardware on pages 32 and 33. Also available in satin aluminum finish.
- ▶ Countersunk holes for secure attachment spaced throughout entire hinge for more even weight distribution along the full height of door
- ▶ Full length knuckle minimizes sight gap for increased privacy
- ▶ Available in 54" and 57" versions
- ▶ Mini-hinges (11" long) available for making small functional displays. Use for your salesman or send to an architect. One available free on request with every 48 hinges purchased.

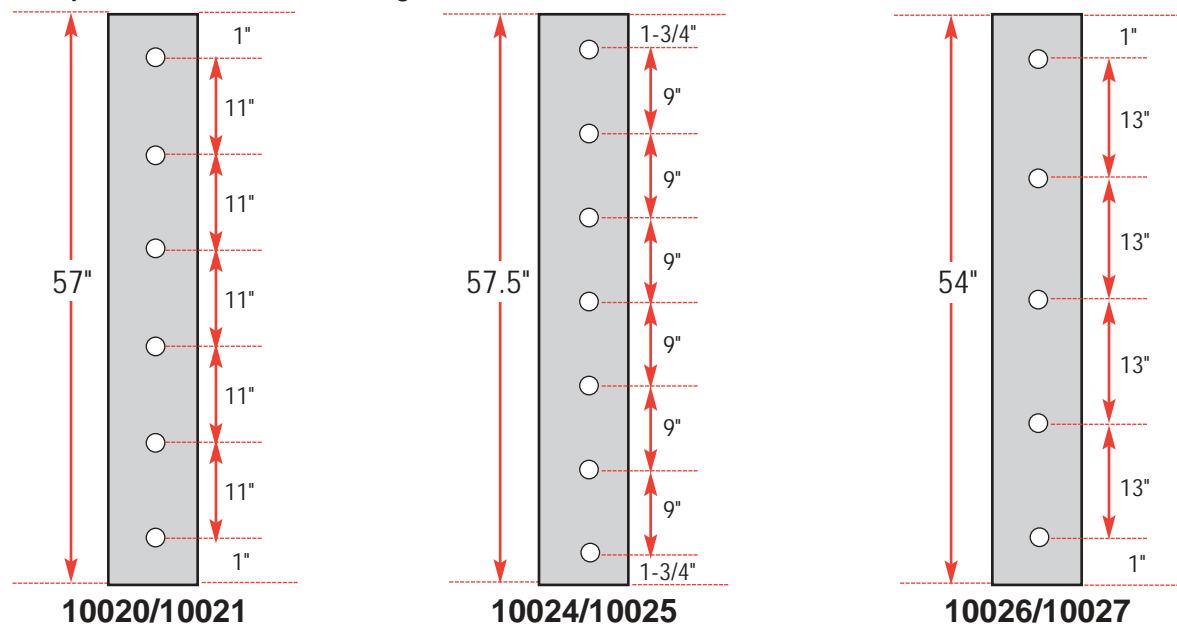
Mounting Directions:

1. Position hinge with knuckles facing you
2. Side that lifts up mounts to the door
3. Remove cover plates before installing the hinge
4. Leave top and bottom bolt out until covers are in place





Hole positions and overall lengths:



Part #	Type	Finish	Length	Quantity per carton	Carton Dimensions	Carton Wt
10020	Right	Bright	57"	6	57.5" x 7" x 4"	37.7 lbs
10021	Left	Bright	57"	6	57.5" x 7" x 4"	37.7 lbs
10022	Right	Bright	11"	—	—	—
10023	Left	Bright	11"	—	—	—
10024	Right	Satin	57.5"	6	57.5" x 7" x 4"	37.7 lbs
10025	Left	Satin	57.5"	6	57.5" x 7" x 4"	37.7 lbs
10026	Right	Bright	54"	6	57" x 7.5" x 4"	37.5 lbs
10027	Left	Bright	54"	6	57" x 7.5" x 4"	37.5 lbs

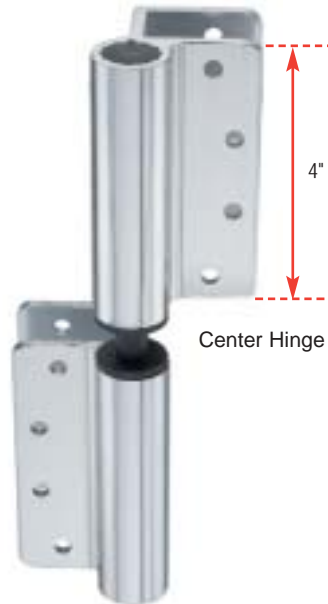
See page 3 for definition and diagram of left & right hinges.

Harris Hardware's Aluminum Hinges for Toilet Partitions

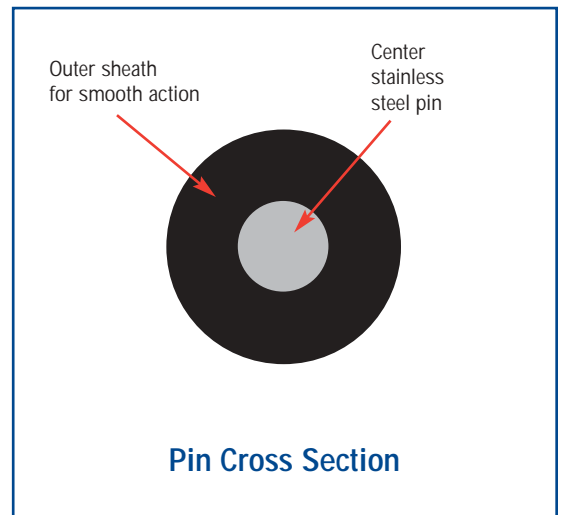
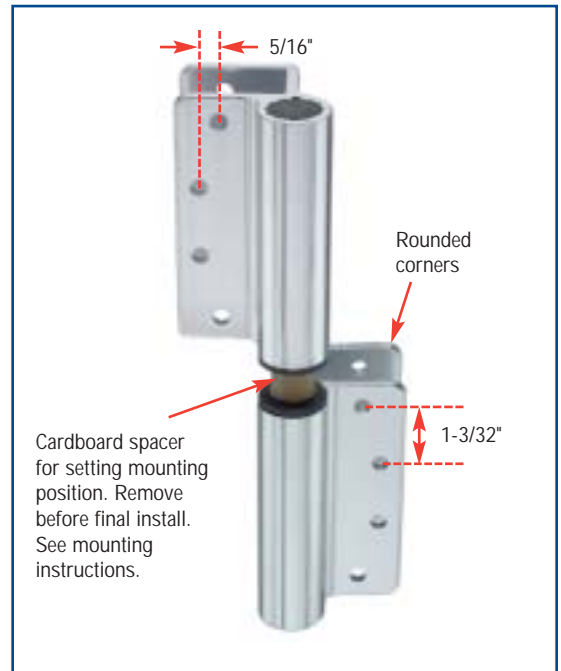


TP8444
TP8445
28424
28425
28454
28455

1 Pair

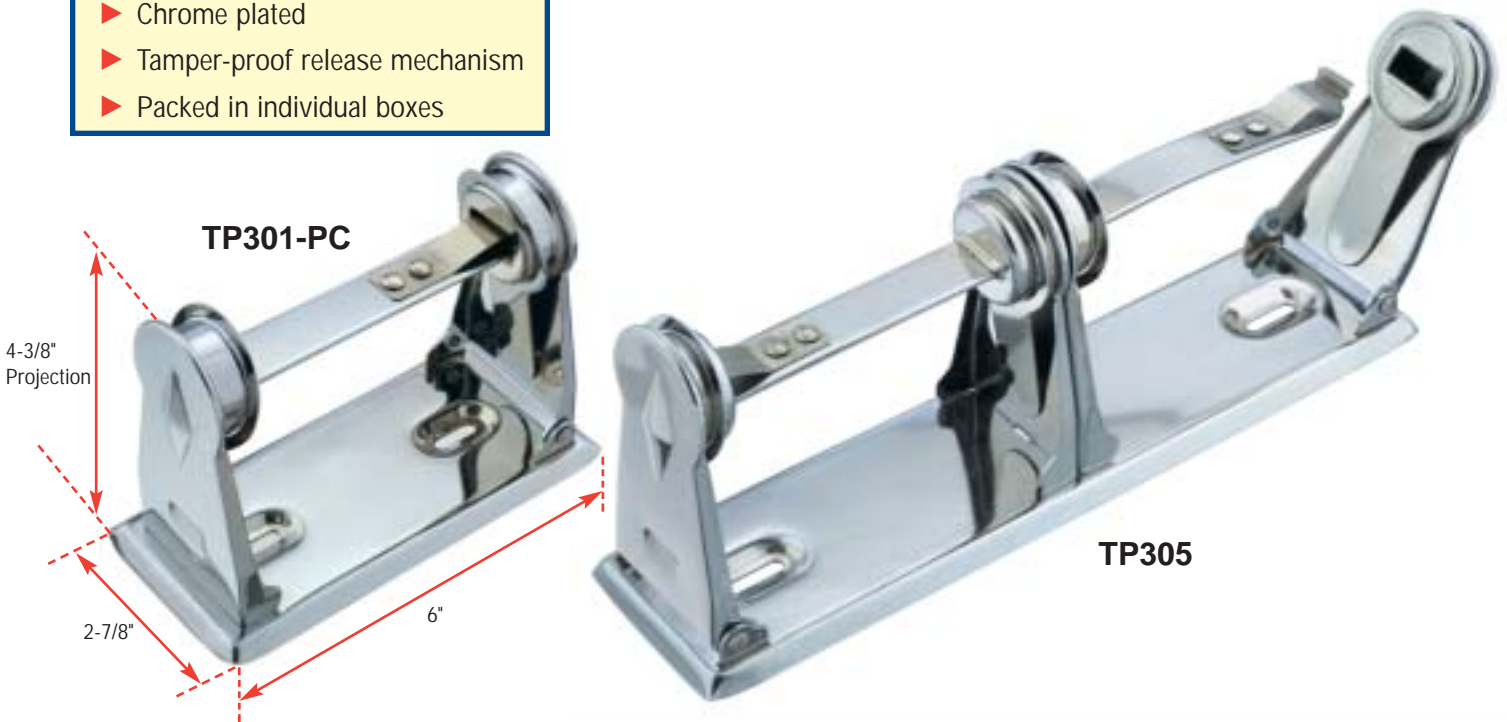


1-1/2 Pair



Harris Hardware's Toilet Paper Holders

- ▶ Chrome plated
- ▶ Tamper-proof release mechanism
- ▶ Packed in individual boxes



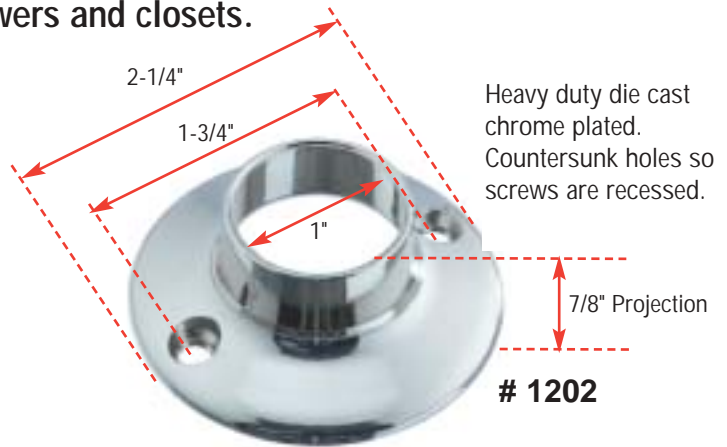
Part #	Description	Master Carton			Inner Box		
		Qty. per Case	Case Dimensions	Case Weight	Qty.	Size	Wt.
TP301-PC	Single Holder	12	13-1/2" x 10-1/2" x 11"	11 lbs.	1	6-1/4" x 3-1/4" x 5"	0.7 lbs.
TP305	Double Holder	25	23" x 14-3/4" x 12"	37 lbs.	1	11-1/4" x 2-3/4" x 4-3/8"	2 lbs.

Chrome Plated Rods And Flanges

For showers and closets.

1500

Chrome plated steel — 1" diameter.
Available in 1-1/4" diameter (1501 series) and 1-15/16" diameters (1502 series).



Part #	Length
1500-6	6 feet
1500-10	10 feet
1500-12	12 feet




Can be made to order in any length.

Part #	Description	Master Carton			Inner Box	
		Qty/Case	Case Wt	Case Dimensions	Qty	Wt
1202	Chrome plated zamac. Fits #1500, 1" rods.	500	37 lbs.	10" x 4-3/4" x 4-1/4"	50	3.3 lbs.
1203*	Chrome plated zamac. Fits #1501, 1-1/4" rods.	500	67 lbs.	14"-1/2 x 17-3/4" x 11-3/4"	25	4 lbs.

*Overall diameter 2-5/8"; 3 screw holes for mounting; 7/8" projection.

Harris Hardware's Chrome Plated Fasteners

- ▶ Chrome plated steel
- ▶ Tamperproof (one-way) drives
- ▶ Specially designed shoulder on shoulder bolts and barrel nuts to fit partition hardware
- ▶ Shoulder bolts and barrel nuts sold separately but used in sets (1:1 ratio)
- ▶ Stainless steel fasteners available (see page 27)

	Part Number	Quantity per Carton	Dimensions	Descriptions
	91110	10,000	#10 x 5/8"	One-way, Round Head, Chrome Plated, Sheet Metal Screws
	TP9423	7000	8/32 x 1"	One-way, Oval Head, Chrome Plated, Machine Screw
	TP9443	6000	8/32 x 1-1/8"	
	TP9463	5000	8/32 x 1-3/8"	
	TP9483	5000	8/32 x 1-5/8"	
	TP9703	5000	10/24 x 1/2"	One-way, Truss Head, Chrome Plated, Barrel Nut
	TP9713	5000	10/24 x 5/8"	
	TP9763	5000	8/32 x 1/2"	Unslotted, Truss Head, Chrome Plated, Barrel Nut
	TP9863	5000	10/24 x 1/2"	
	TP9773	5000	10/24 x 1/2"	One-way, Truss Head, Chrome Plated, Shoulder Bolt
	TP9783	5000	10/24 x 3/4"	
	TP9793	5000	10/24 x 15/16"	
	TP9803	5000	10/24 x 1-1/16"	
	TP9813	5000	10/24 x 1-3/16"	
	TP9823	5000	10/24 x 1-5/16"	
	91130	8,000	#10 x 5/8"	Phillips, Pan Head, Chrome Plated, Hardened, Type A, Sheet Metal Screws
	91140	8000	#12 x 5/8"	
	91150	5000	#14 x 5/8"	
	91210	4000	#12 x 1-1/2"	
	91120	8000	#12 x 5/8"	One-way, Pan Head, Chrome Plated, Hardened, Type A, Sheet Metal Screws
	1 x 10-FZN	7500	#10 x 1"	Phillips, Zinc Plated, Flat Head, Hdnd, Type A, Sheet Metal Screws
	91416	10,000	14/16	Plastic Anchor

For information on stainless steel fasteners, see page 27.

Guide to fastener selection

Item	Pilaster or Panel Thickness	Shoulder Bolt	Barrel Nut
Strike & Keepers – 1-1/4" pilaster	1-1/4"	TP9823	TP9713
Hinge pilaster members – 1-1/4" pilaster	1-1/4"	TP9823	TP9713
7/8" Zamac Brackets	7/8"	TP9793	TP9713
1" Zamac Brackets	1"	TP9803	TP9713
1-1/4" Zamac Brackets	1-1/4"	TP9823	TP9713

Index by Item Number

1X10-FZN	36	TP3680	4,5,6,7,8,9	TP7333	21,34	11819	22	TP15345	15
TP301-PC	35	TP3681	4,5,6,7,8,9	TP8340	14	11849	22	TP15350	15
305	4,5,6,7,8,9	TP3798	26	TP8344	15	11879	22	TP15354	15
TP305	35	TP3799	26	TP8410	20	11899	22	TP15355	15
306	4,5,6,7,8,9	TP3800	26	TP8411	20	11909	22	15359	23
708-PC	13	TP3809	26	TP8412	20	11919	22	TP15360	15
720-PC	11	TP3819	26	TP8413	20	11929	22	TP15364	15
722-PC	14	TP3829	26	TP8444	30-31	11959	22	TP15365	15
722-PC	14	TP3837	26	TP8445	30-31	11989	22	15399	23
730-PC	11	TP3839	26	TP8447	30-31	11999	22	15409	24
731-PC	11	TP3849	26	TP8448	30-31	12209	22	TP15410	15
732-PC	14,34	TP3859	26	TP8500	21	12269	22	TP15414	15
742	26	TP3869	26	TP8520	21	12400	18,19	TP15415	15
748	13	TP3879	26	TP8600	21	12480	18,19	TP15420	15
749	13	TP3881	26	TP8620	21	TP12844	32	TP15420-P	15
750-PC	12	TP3900	26	TP9423	36	13180	16,17,18,19	TP15420-PT	15
753	26	TP3909	26	TP9443	36	13680	16,17,18,19	TP15440	15
754	26	TP3919	26	TP9463	36	14029	25	TP15444	15
759-PC	10,13	TP3929	26	TP9483	36	15009	23	TP15445	15
764	10	TP3937	26	TP9703	36	15019	23	TP15449	23
764-PC	10	TP3939	26	TP9709	27	TP15020	15	TP15510	15
765	10	TP3949	26	TP9713	36	TP15020-P	15	15513	24
765-PC	10	TP3959	26	TP9719	27	TP15020-PT	15	TP15514	15
766	10,13	TP3969	26	TP9763	36	TP15030	15	TP15515	15
766-PC	10	TP3979	26	TP9773	36	TP15032	15	15819	23
767-PC	13	TP3981	26	TP9783	36	TP15034	15	15829	23
770-PC	10	TP4000-CP	11	TP9789	27	TP15035	15	TP17644	32
771-PC	10	TP4003	21	TP9793	36	TP15039	23	17800	4
777-PC	10,13	TP4009	25	TP9799	27	TP15050	15	18349	22
861-PC	11	TP4020-CP	11	TP9803	36	15053	24	19143	32
863-PC	11	TP5020-CP	13	TP9809	27	TP15054	15	TP19144	32
TP869	24	TP5023	21	TP9813	36	TP15055	15	25134	33
TP1100	6	TP5024	33	TP9819	27	TP15059	23	25234	33
TP1200	8	TP5029	24	TP9823	36	TP15060	15	27800	5
1202	35	TP5050	13	TP9829	27	TP15064	15	28424	30-31
1203	35	TP5052	13	TP9863	36	TP15065	15	28425	30-31
TP1286	14	TP5110-I	12	10012	18	15109	23	28454	30-31
TP1380	13	TP5124	33	10013	19	15110	24	28455	30-31
TP1390	13	TP5140	12	10014	16	15119	23	TP804 series	34
1500 series	35	TP5150	12	10015	17	15210	24	TP805 series	34
TP1510	4,5	TP5154	33	10020	28-29	TP15220	15	TP806 series	34
TP1520	4,5	TP5155	13	10021	28-29	TP15220-P	15	TP807 series	34
TP1550	14	TP5160/70	12	10022	28-29	TP15220-PT	15	91103	27
TP1636	14	TP5161/71	12	10023	28-29	TP15230	15	91110	36
TP1656	14	TP5169	24	10024	28-29	TP15234	15	91120	36
TP1756	14	TP5179	24	10025	28-29	TP15235	15	91123	27
TP1759	25	TP5210-0	12	10026	28-29	TP15239	23	91130	36
TP1766	14	TP5224	33	10027	28-29	TP15240	15	91140	36
TP1769	25	TP5250	12	10730	25	TP15244	15	91150	36
TP1836	14	TP5254	33	11289	22	TP15245	15	91203	27
TP1846	14	TP5260	12	11469	22	TP15250	15	91210	36
TP1849	25	TP5310	12	11510	16,17	TP15254	15	91223	27
TP1856	14	TP5330	12	11520	16,17	TP15255	15	91416	36
TP1906	14	TP5340	12	11569	22	15259	23	97093	27
TP1916	14	TP5400-PC	11	11579	22	TP15320	15	97193	27
TP1919	25	TP5403	21	11629	22	TP15320-P	15	97790	27
TP2100	7	TP5410	12	11649	22	TP15320-PT	15	97793	27
TP2200	9	TP5510	10,12	11659	22	TP15330	15	97893	27
TP2400	6,7	TP6400	34	11679	22	TP15334	15	97993	27
TP2480	6,7	TP6660	34	11689	22	TP15335	15	98093	27
TP3180	4,5,6,7,8,9	TP6670	34	11759	22	TP15340	15	98193	27
TP3181	4,5,6,7,8,9	TP7313	21	11769	22	TP15344	15	98293	27

HARRIS HARDWARE

Web site: www.HarrisHardware.com

E-mail : sales@HarrisHardware.com

Corporate Headquarters:

Harris Hardware Sales Corp.
4 Harbor Park Drive
Port Washington, NY 11050

Phone: 1-516-484-4440

Toll Free: 1-888-484-0555

Fax: 1-516-484-5108

Fax Orders: 1-516-484-4406

Western U.S. Warehouse:

Harris Hardware Sales Corp.
8940 Sorenson Avenue, Unit # 3
Santa Fe Springs, CA 90670

Phone: 1-562-944-9206

Toll Free: 1-800-211-1701

Fax: 1-562-944-2389

Southeastern U.S. Warehouse:

Harris Hardware Sales Corp.
6708 Harney Road
Tampa, FL 33610

Toll Free: 1-888-484-0555

Fax Orders: 1-516-484-4406

Important Notice to Purchaser

Terms and Conditions of Sale: Product Selection Your placement with Harris Hardware of an order for products constitutes your acceptance of Harris's offer of sale and your agreement to these terms and conditions of sale. These terms and conditions shall be governed by the laws of New York (without reference to choice of law principles) and may not be changed except by Harris's express written agreement. Notwithstanding any oral or written information, opinions, catalog descriptions or advice furnished by Harris or its employees at any time, you, the Buyer, have sole responsibility to evaluate and test Harris's products so you can select those that are suitable for use in your specific applications.

Limited Warranty and Remedy If products shipped do not conform to your specifications, or if, after use by you, the original Buyer, the products prove to be defective, Harris will, as the **exclusive remedy**, at Harris's option, either replace the non-conforming or defective products or issue a credit at their net invoice price. This limited warranty **shall not apply** if (a) we do not receive written notice of the non-conformity or defect from you within **15 days** after you receive the products, (b) you do not return the non-conforming or defective products to us in their original packaging within **20 days** after you receive the products or (c) the products are custom-made for you or are other special products. THIS WARRANTY IS IN LIEU OF ALL OTHER WARRANTIES, EXPRESS, IMPLIED AND STATUTORY, INCLUDING (WITHOUT LIMITATION) THE IMPLIED WARRANTIES OF MERCHANTABILITY AND FITNESS FOR A PARTICULAR PURPOSE AND ANY WARRANTIES ARISING OUT OF COURSE OF DEALING, CUSTOM OR USAGE OF TRADE.

Limitation of Liability: Release Except to the extent of the Limited Warranty and Remedy above, Harris is not and shall not be liable to you for any claims, liabilities or damages of any kind whatsoever (including without limitation direct, indirect, compensatory, special, consequential, incidental or punitive damages) arising out of Harris's provision of products to you. *By purchasing products from Harris, you expressly release Harris from all such claims, liabilities and damages.*

Errors: Photo & Color Disclaimer Harris reserves the right to correct any clerical or typographical errors in this Catalog at any time. Product photographs and color shown herein are rendered as accurately as printing processes permit. While we have made every attempt to accurately portray each product, Harris disclaims any liability for variations in photographic accuracy or color as compared to the actual product.

