

HARRIS HARDWARE

PARTITION HARDWARE



CATALOG 303

ABOUT HARRIS HARDWARE

Harris Hardware was founded in 1909 in Brooklyn, NY. During our long history, we have been a leading supplier of hardware to various specialty markets. Since 1980 Harris has manufactured custom and stock hardware for the toilet partition industry. Today Harris supplies many of the largest toilet partition manufacturers in the world.

Our services include:

- ▶ Huge on-the-shelf inventory at our two U.S. locations
- ▶ Stocking hardware for small and medium size toilet partition manufacturers
- ▶ JIT monthly delivery programs for toilet partition manufacturers
- ▶ Over 500 stock items including components and sets
- ▶ Custom manufactured hardware for all types of toilet partitions
- ▶ Made-to-order items to customer specifications
- ▶ Custom packaging of brackets and other components
- ▶ Sales tools including: mini display doors for showrooms, literature, digital photos, and customized PDF files for our customer's websites
- ▶ Simplified ordering with customized quick order forms
- ▶ Fast delivery time — 97% of orders ship within 24 hours.

WWW.HARRISHARDWARE.COM

HARRIS HARDWARE

WEB SITE: WWW.HARRISHARDWARE.COM

E-MAIL: ORDERS@HARRISHARDWARE.COM

Corporate Headquarters:

Harris Hardware Sales Corp.

4 Harbor Park Drive

Port Washington, NY 11050

Phone: 1-516-484-4440

Fax: 1-516-484-5108

Important Notice to Purchaser

Terms and Conditions of Sale: Product Selection Your placement with Harris Hardware of an order for products constitutes your acceptance of Harris's offer of sale and your agreement to these terms and conditions of sale. These terms and conditions shall be governed by the laws of New York (without reference to choice of law principles) and may not be changed except by Harris's express written agreement. Notwithstanding any oral or written information, opinions, catalog descriptions or advice furnished by Harris or its employees at any time, you, the Buyer, have sole responsibility to evaluate and test Harris's products so you can select those that are suitable for use in your specific applications.

Limited Warranty and Remedy If products shipped do not conform to your specifications, or if, after use by you, the original Buyer, the products prove to be defective, Harris will, as the ***exclusive remedy***, at Harris's option, either replace the non-conforming or defective products or issue a credit at their net invoice price. This limited warranty ***shall not apply*** if (a) we do not receive written notice of the non-conformity or defect from you within **15 days** after you receive the products, (b) you do not return the non-conforming or defective products to us in their original packaging within **20 days** after you receive the products or (c) the products are custom-made for you or are other special products. THIS WARRANTY IS IN LIEU OF ALL OTHER WARRANTIES, EXPRESS, IMPLIED AND STATUTORY, INCLUDING (WITHOUT LIMITATION) THE IMPLIED WARRANTIES OF MERCHANTABILITY AND FITNESS FOR A PARTICULAR PURPOSE AND ANY WARRANTIES ARISING OUT OF COURSE OF DEALING, CUSTOM OR USAGE OF TRADE.

Limitation of Liability: Release Except to the extent of the Limited Warranty and Remedy above, Harris is not and shall not be liable to you for any claims, liabilities or damages of any kind whatsoever (including without limitation direct, indirect, compensatory, special, consequential, incidental or punitive damages) arising out of Harris's provision of products to you. *By purchasing products from Harris, you expressly release Harris from all such claims, liabilities and damages.*

Errors: Photo & Color Disclaimer Harris reserves the right to correct any clerical or typographical errors in this Catalog at any time. Product photographs and color shown herein are rendered as accurately as printing processes permit. While we have made every attempt to accurately portray each product, Harris disclaims any liability for variations in photographic accuracy or color as compared to the actual product.



HARRIS HARDWARE'S INDEX BY MATERIAL:

Zamac

Complete Door Hardware Sets

Square Edge Doors	7-12
Metal Round Edge Doors	13

Bracket Sets: 18-19

Individual Components:

Brackets	18
Coat Hooks	14
Door Bumper	14
Door Pulls	14
Hinge Components*	7-12
Latches	17
Strike & Keepers	15-16

Stainless Steel, Cast

Complete Door Hardware Sets: (hinge plus all components)

Square edge doors	21-24
-------------------	-------

Individual Components:

Brackets	27
Door Components	26
Hinges	25

Stainless Steel, Stamped

Bracket Sets: 28-29

Individual Components:

Brackets	32
Door Components	31-32
Shoes	33
Strike & Keepers	30

Aluminum

Hinges:

8" Hinges	38-39
Full Length Hinges	35-37

Individual Components:

Brackets	40-41
Door Components	42
Headrails	44
Strike & Keepers	43

Miscellaneous

Headrails	44
Shoes	33
Shower Rod and Flanges	45
Tamper Proof Fasteners – Chrome Plated Steel	46
Tamper Proof Fasteners – Stainless	34

*For replacement parts, refer to part numbers of components shown in complete sets on pages 7-12.

**Our hardware is found in over 1,000,000 public rest rooms throughout the world.
We can't list them all, but here are a few well known examples:**

- *Sports Stadiums:* Safeco Field – Seattle Mariners, Seattle, WA
- *Broadway Theaters:* St. James Theatre, New York, NY
- *Hospitals:* St. Francis Hospital, The Heart Center, Long Island, NY
- *Resorts:* Mount Snow Resort, Mt. Snow, VT
- *Schools:* Robert Seaman School, Jericho, NY
- *Stores:* Wal-mart Stores
- *Country Clubs:* Tam O'Shanter Club, Brookville, NY
- *Restaurants:* Olive Garden
- *Airports:* Denver Airport, Denver, CO
- *Race Tracks:* Juliett Speedway, Chicago, IL
- *Amphitheatres:* Polaris Concert Amphitheater, Columbus, OH

HARRIS HARDWARE'S INDEX BY PRODUCT:


Complete Door Hardware Sets:

	Zamac	
	7/8" Door – 1-1/4" Pilaster	7-8
	1" Door – 1-1/4" Pilaster	9-12
	Custom for Metal Doors	13
	Stainless Steel	
	7/8" Door – 1-1/4" Pilaster	21-22
	1" Door – 1-1/4" Pilaster	23-24


Brackets:

	Aluminum	40-41
	Stainless Steel, Cast	32
	Stainless Steel, Stamped	
	Individual Parts	27
	Sets	28-29
	Zamac	
	Individual Parts	18
	Sets	19-20

Coat Hooks:

	Stainless Steel, Cast	32
	Stainless Steel, Stamped	26
	Zamac	14

Door Bumpers:

	Stainless Steel, Cast	32
	Stainless Steel, Stamped	26
	Zamac	14

Door Pulls:

	Stainless Steel, Cast	31
	Stainless Steel, Stamped	26
	Zamac	14

Fasteners:



	Stainless Steel	30
	Steel	39

Headrails:

Aluminum	37
----------	----




Hinges:

	Aluminum	
	8" Surface Mount	38-39
	Full Length	35-37
	Stainless Steel	
	6" Surface Mount	25
	Complete Sets	21-24
	Zamac	
	Complete 7/8" Door	7-8
	Complete 1" Door	9-12

For replacement parts refer to part numbers of components shown in complete sets on pages 7-12.

Latches:

	Aluminum	42
	Stainless Steel, Cast	31
	Stainless Steel, Stamped	26
	Zamac	17

Shoes: 33



Shower Rod & Flanges: 45



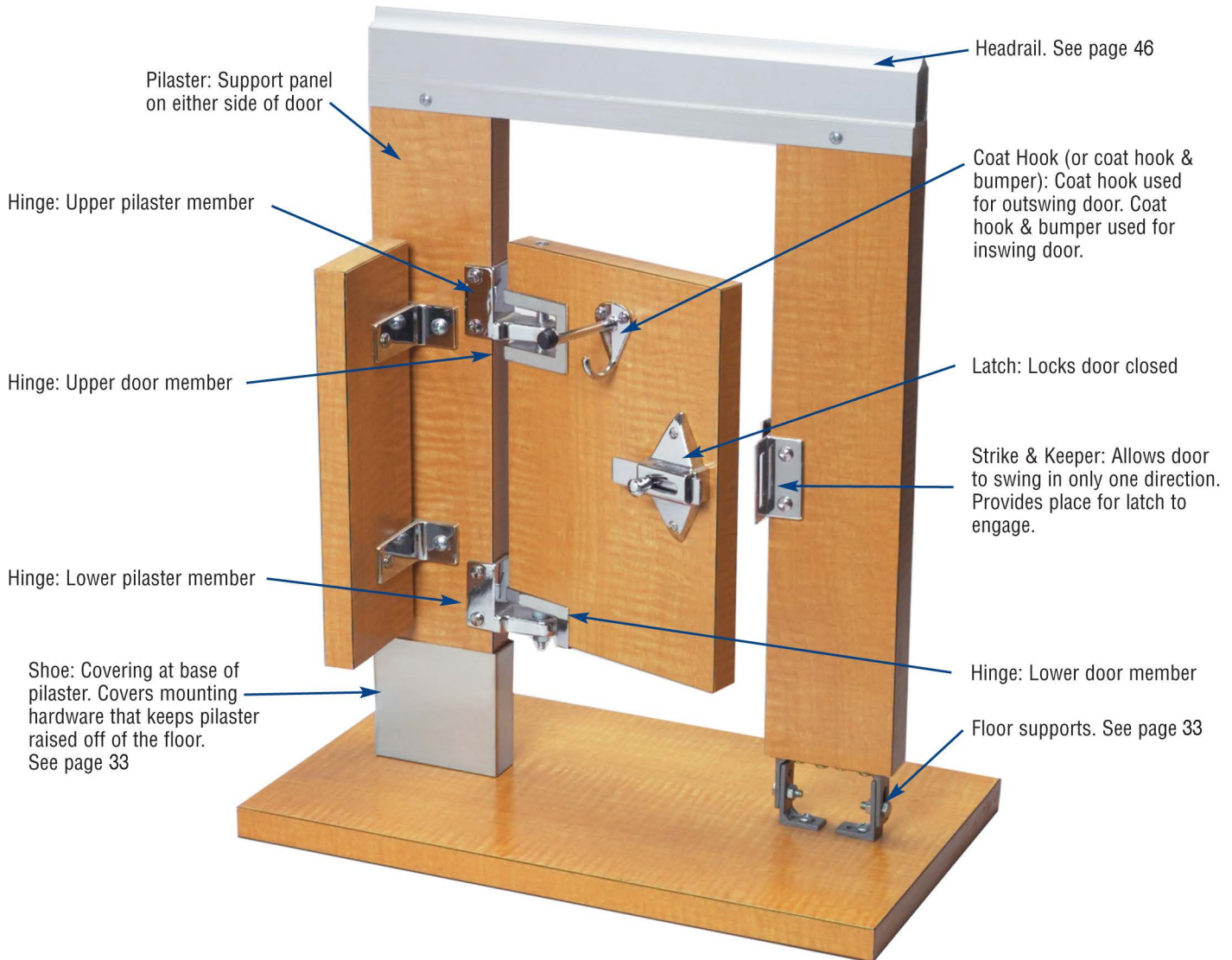
Strike & Keepers:

	Aluminum	42
	Stainless Steel, Cast	30
	Stainless Steel, Stamped	26
	Zamac	15-16

HARRIS HARDWARE'S DOOR COMPONENTS

Typical insert door hardware set (Zamac or Stainless).

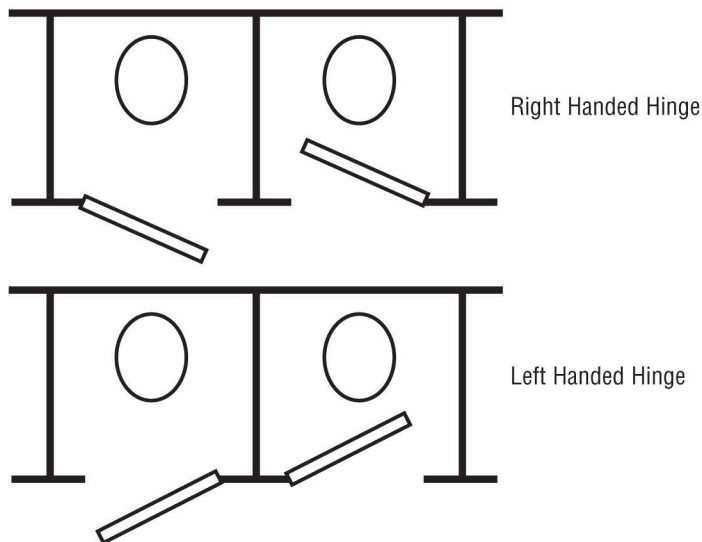
Complete sets shown on pages 7 through 12 (Zamac) and pages 21 through 24 (Stainless).



Definition of left and right surface mounted hinges:

Refers to following hinges:

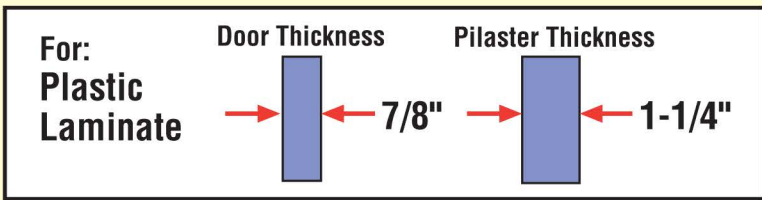
- Aluminum hinges on pages 38-39
- Continuous hinges on pages 35-37
- Stainless hinges on page 25



HARRIS HARDWARE'S COMPLETE DOOR HARDWARE SETS

Sets are packed in individual boxes. Set includes all items needed to mount one door.
Each box contains one complete set. The box contains all items shown on this page.

Part # 17800 **Zamac** Inswing



- ▶ Each box contains all items shown on this page
- ▶ Includes all fasteners for mounting
- ▶ Self-Closing with adjustable closing position. Door can be easily set to fully close or to stay open at any angle.
- ▶ Heavy Duty Chrome Plated Finish on Durable Zamac Casting
- ▶ Hinges wrap around pilaster and mount with through bolts to provide strong attachment
- ▶ Hinges are recessed into door for a clean look
- ▶ Hinge pin is zinc plated for extra durability
- ▶ Through bolts are chrome plated to match hardware and have one-way tamperproof heads
- ▶ Packaging: One complete set per box: 1.9 lbs.
20 boxes per case: 39 lbs.

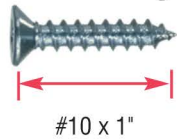
TP9713 (Qty. 6)



TP9823 (Qty. 6)



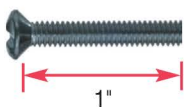
1x10-FZN (Qty. 2)
For door hinge.



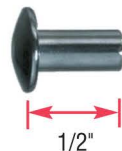
TP9193 (Qty. 2)
For coat hook.



TP9423 (Qty. 2)
For slide latch.



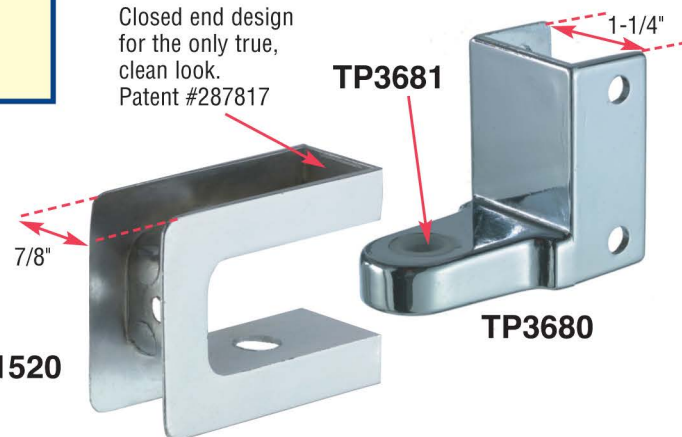
TP9763 (Qty. 2)
For slide latch.



305
Top Pin



Closed end design for the only true, clean look.
Patent #287817



306
Female
Cam

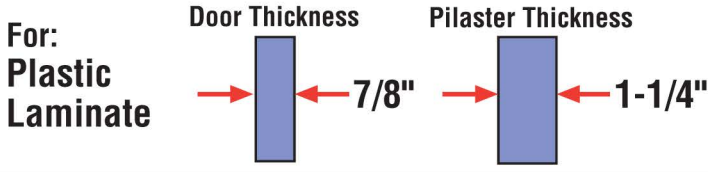


See page 6 for Mounting Diagram

HARRIS HARDWARE'S COMPLETE DOOR HARDWARE SETS

Sets are packed in individual boxes. Set includes all items needed to mount one door.
Each box contains one complete set. The box contains all items shown on this page.

Part # 27800 **Zamac** **Outswing**



- ▶ Each box contains all items shown on this page
- ▶ Includes all fasteners for mounting
- ▶ Self-Closing with adjustable closing position. Door can be easily set to fully close or to stay open at any angle.
- ▶ Heavy Duty Chrome Plated Finish on Durable Zamac Casting
- ▶ Hinges wrap around pilaster and mount with through bolts to provide strong attachment
- ▶ Hinges are recessed into door for a clean look
- ▶ Hinge pin is zinc plated for extra durability
- ▶ Through bolts are chrome plated to match hardware and have one-way tamperproof heads
- ▶ Packaging: One complete set per box: 1.9 lbs.
20 boxes per case: 39 lbs.



TP5210-0



TP4020-CP



TP5020-CP



863-PC

TP9713 (Qty. 6)



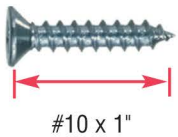
$5/8"$

TP9823 (Qty. 6)



$1-5/16"$

1x10-FZN (Qty. 2)
For door hinge.



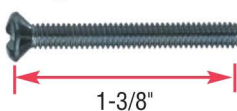
#10 x 1"

TP9193 (Qty. 2)
For coat hook.



$3/4"$
#10 x $3/4"$

TP9463 (Qty. 2)
Attaches through slide latch and into pull.

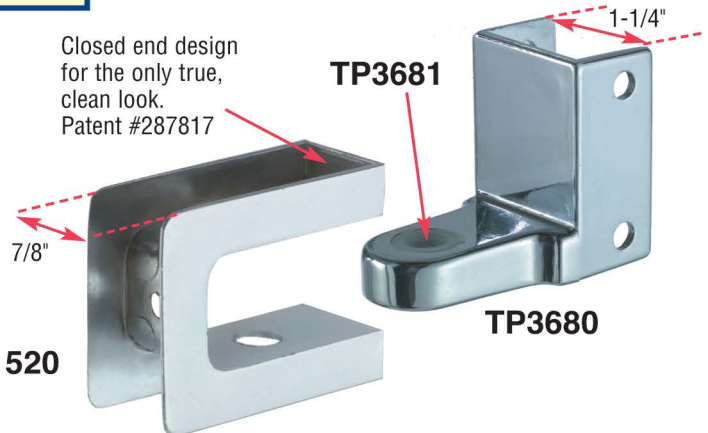


$1-3/8"$

305
Top Pin



Closed end design for the only true, clean look. Patent #287817

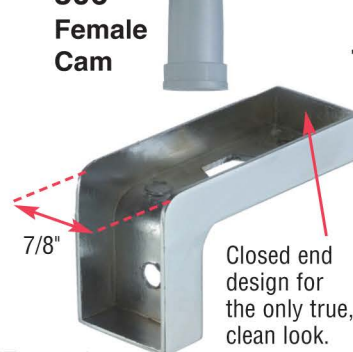


TP1520

TP3681

TP3680

306
Female Cam



TP1510

Closed end design for the only true, clean look. Patent #287817

TP3181

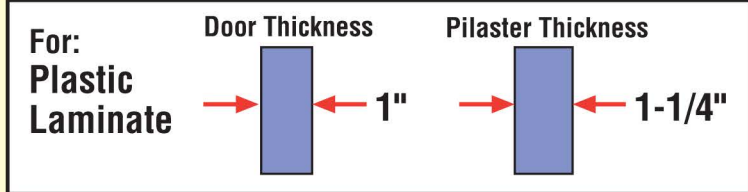


TP3180

HARRIS HARDWARE'S COMPLETE DOOR HARDWARE SETS

Sets are packed in individual boxes. Set includes all items needed to mount one door. Each box contains one complete set. The box contains all items shown on this page.

Part # **TP1100** *Zamac* **Inswing**



- ▶ Each box contains all items shown on this page
- ▶ Includes all fasteners for mounting
- ▶ Self-Closing with adjustable closing position. Door can be easily set to fully close or to stay open at any angle.
- ▶ Heavy Duty Chrome Plated Finish on Durable Zamac Casting
- ▶ Hinges wrap around pilaster and mount with through bolts to provide strong attachment
- ▶ Hinges are recessed into door for a clean look
- ▶ Hinge pin is zinc plated for extra durability.
- ▶ Through bolts are chrome plated to match hardware and have one-way tamperproof heads
- ▶ Packaging: One complete set per box: 2.1 lbs. 20 boxes per case: 41.8 lbs.

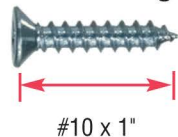
TP9713 (Qty. 6)



TP9823 (Qty. 6)



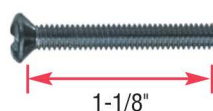
1x10-FZN (Qty. 2)
For door hinge.



TP9193 (Qty. 2)
For coat hook.



TP9443 (Qty. 2)
For slide latch.



TP9763 (Qty. 2)
For slide latch.



305
Top Pin



TP4000-CP



TP5110-I

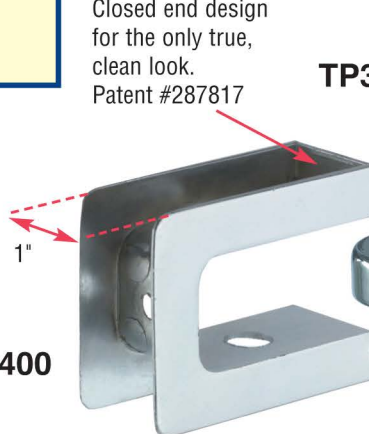


TP5020-CP

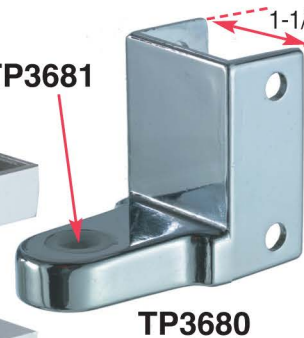


Closed end design for the only true, clean look. Patent #287817

TP2400



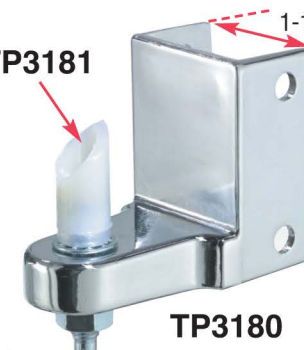
TP3681



306
Female Cam



TP3181



Closed end design for the only true, clean look. Patent #287817

TP2480

See page 6 for Mounting Diagram

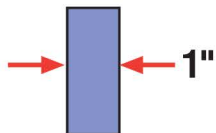
HARRIS HARDWARE'S COMPLETE DOOR HARDWARE SETS

Sets are packed in individual boxes. Set includes all items needed to mount one door. Each box contains one complete set. The box contains all items shown on this page.

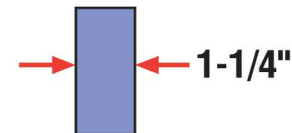
Part # TP2100 Zamac Outswing

For:
Plastic
Laminate

Door Thickness



Pilaster Thickness



- ▶ Each box contains all items shown on this page
- ▶ Includes all fasteners for mounting
- ▶ Self-Closing with adjustable closing position. Door can be easily set to fully close or to stay open at any angle.
- ▶ Heavy Duty Chrome Plated Finish on Durable Zamac Casting
- ▶ Hinges wrap around pilaster and mount with through bolts to provide strong attachment
- ▶ Hinges are recessed into door for a clean look.
- ▶ Hinge pin is zinc plated for extra durability
- ▶ Through bolts are chrome plated to match hardware and have one-way tamperproof heads
- ▶ Packaging: One complete set per box: 2.0 lbs. 20 boxes per case: 40.0 lbs.

TP9713 (Qty. 6)



5/8"

TP9823 (Qty. 6)



1-5/16"

1x10-FZN (Qty. 2)
For door hinge.



#10 x 1"

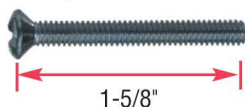
TP9193 (Qty. 2)
For coat hook.



3/4"
#10 x 3/4"

TP9483 (Qty. 2)

Attaches through slide latch and into pull.



1-5/8"

305
Top Pin



TP5210-0



TP4020-CP

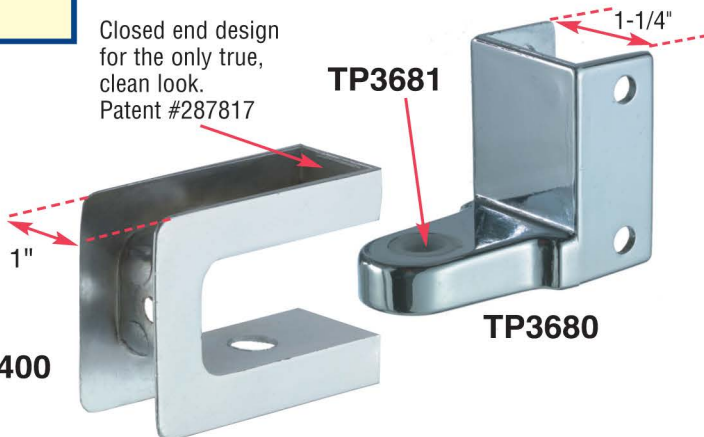


TP5020-CP



863-PC

Closed end design for the only true, clean look. Patent #287817

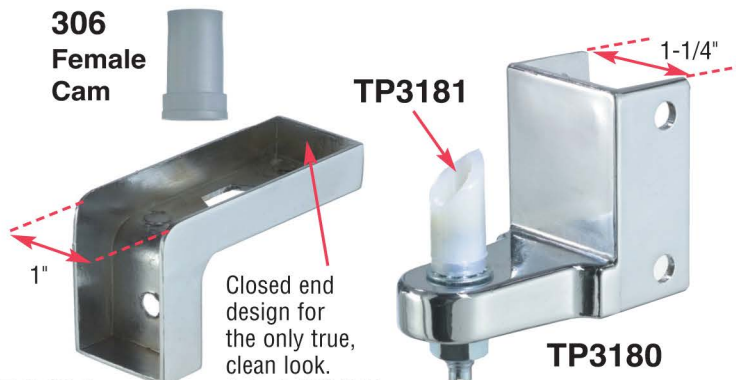


TP2400

TP3681

TP3680

306
Female
Cam



TP2480

TP3181

TP3180

Closed end design for the only true, clean look. Patent #287817

ZAMAC ZAMAC ZAMAC ZAMAC ZAMAC ZAMAC ZAMAC ZAMAC ZAMAC ZAMAC

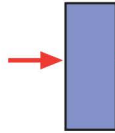
HARRIS HARDWARE'S COMPLETE DOOR HARDWARE SETS

Sets are packed in individual boxes. Set includes all items needed to mount one door. Each box contains one complete set. The box contains all items shown on this page.

Part # **12050** **Zamac** **Inswing**

For:
Plastic Laminate

Door Thickness



1"

Pilaster Thickness



1-1/4"

- ▶ Each box contains all items shown on this page
- ▶ Includes all fasteners for mounting
- ▶ Self-Closing with adjustable closing position. Door can be easily set to fully close or to stay open at any angle.
- ▶ Heavy Duty Chrome Plated Finish on Durable Zamac Casting
- ▶ Hinges wrap around pilaster and mount with through bolts to provide strong attachment
- ▶ Hinges are recessed into door for a clean look
- ▶ Hinge pin is zinc plated for extra durability
- ▶ Through bolts are chrome plated to match hardware and have "six point with pin" tamperproof heads. Special bits are available and sold separately.
- ▶ Packaging: One complete set per box: 2.1 lbs.
20 boxes per case: 41.8 lbs.

97136 (Qty. 6)



5/8"

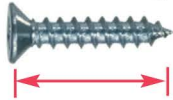
98236 (Qty. 6)



1-5/16"

1x10-FZN (Qty. 2)

For door hinge.



#10 x 1"

91936 (Qty. 2)

For coat hook.



#10 x 5/8"

98036 (Qty. 2)

For slide latch.



1-1/16"

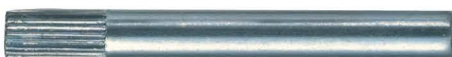
9863 (Qty. 2)

For slide latch.



1/2"

305
Top Pin



TP4000-CP

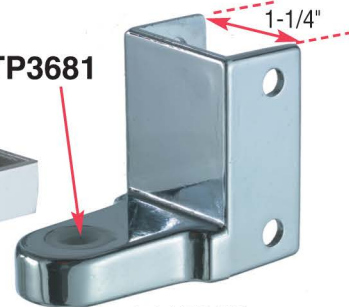


TP5110-I

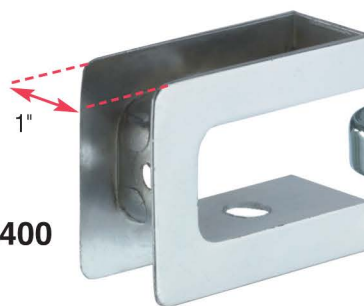


TP5050

TP3681



TP3680



TP2400

306
Female
Cam



TP2480

TP3181



TP3180

HARRIS HARDWARE'S COAT HOOKS, BUMPERS & PULLS

Die Cast Zamac Chrome Plated Finish — Individual components for replacement hardware.

For new installations, use complete sets shown on pages 7 – 14.



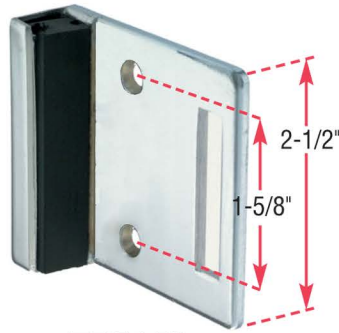
Packaging Information

Part #	Description	Master Carton			Inner Box	
		Quantity	Dimensions	Wt. (lbs.)	Qty.	Wt. (lbs.)
Hooks & Bumpers: 720-PC	Coat Hook	500	12 x 8 x 20	34.0	50	3.2
730-PC	Hook & Bumper	250	10-3/4 x 7 x 22-1/2	37.1	50	7.2
731-PC	Door Bumper	500	13-1/2 x 10-1/2 x 22-1/2	59.2	50	5.7
TP4000-CP	Hook & Bumper	500	13-1/2 x 10-1/2 x 22-1/2	60.3	50	5.8
TP4020-CP	Double Hook	500	12 x 8-1/4 x 20	49.6	50	4.7
Pulls: 861-PC	4" cc	500	10 x 7 x 15-1/4	52.2	50	5.0
862-PCH	4" cc	500	10 x 7 x 15-1/4	52.2	50	5.0
863-PC	2-3/4" cc	500	10 x 7-1/4 x 15-1/4	38.5	50	3.7
TP5400-PC	3-1/2" cc	300	11 x 10-1/4 x 13-1/2	44.1	50	8.4
TP5440-PC	3-1/2" cc	300	11 x 10-1/4 x 13-1/2	44.1	50	8.4

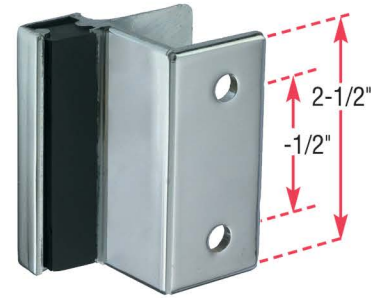
HARRIS HARDWARE'S STRIKE & KEEPERS

Die Cast Zamac Chrome Plated Finish.

- ▶ Heavy duty chrome plated finish
- ▶ Durable Zamac Casting
- ▶ Bumper securely attached with permanent adhesive
- ▶ Excellent for metal or plastic laminate partitions
- ▶ For replacement hardware. For new installation see complete sets on pages 7-14.
- ▶ Mount wrap-around strike & keepers with through bolts (see page 45-46)
- ▶ Available for both plastic laminate and metal partitions. Both types shown



TP5140



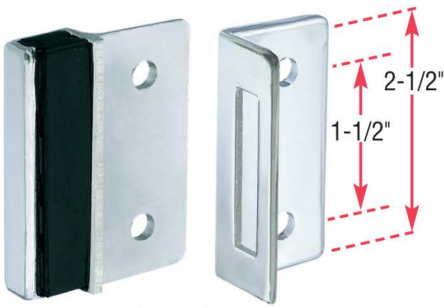
TP5210-0 [1/4" pilaster]
TP5250 [1" pilaster]



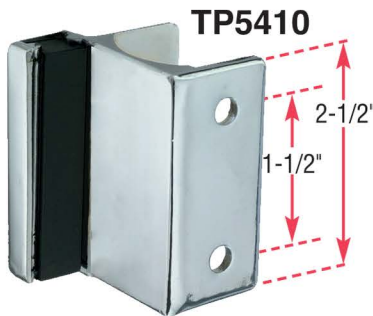
TP5260



TP5310



TP5160/70



TP5410



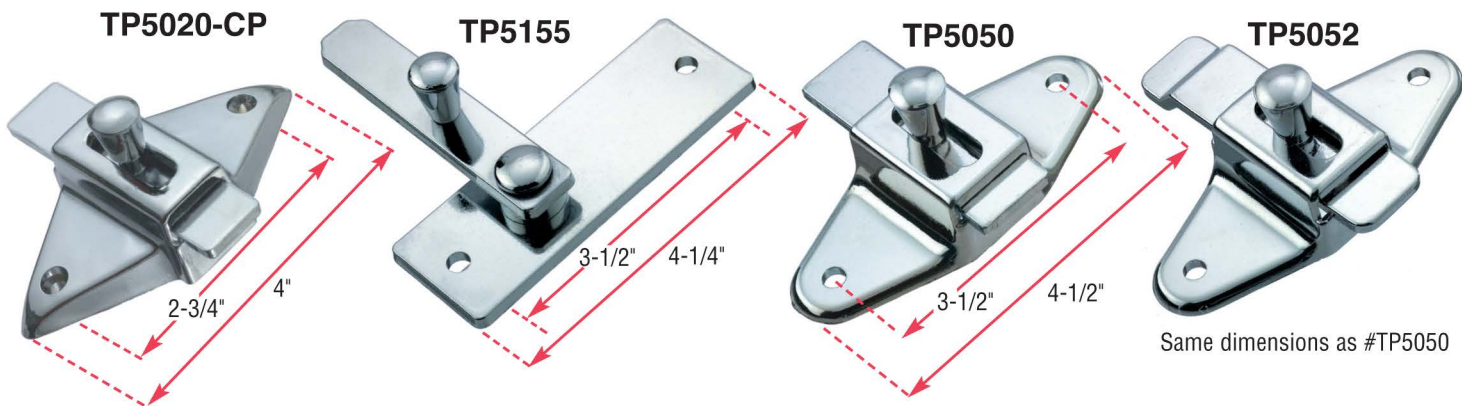
TP5510

Part #	Partition Type	Partition Thickness
TP5140	Surface (Wall) Mount	N/A
TP5250	Square or Round	1"
TP5210-0	Square or Round	1-1/4"
TP5160/70	Square or Round	All
TP5510	Square or Round	1-1/4"
TP5260	Surface (Wall) Mount	N/A
TP5310	Round Edge	1-1/4"
TP5410	Round Edge	1-1/4"

HARRIS HARDWARE'S DOOR LATCHES

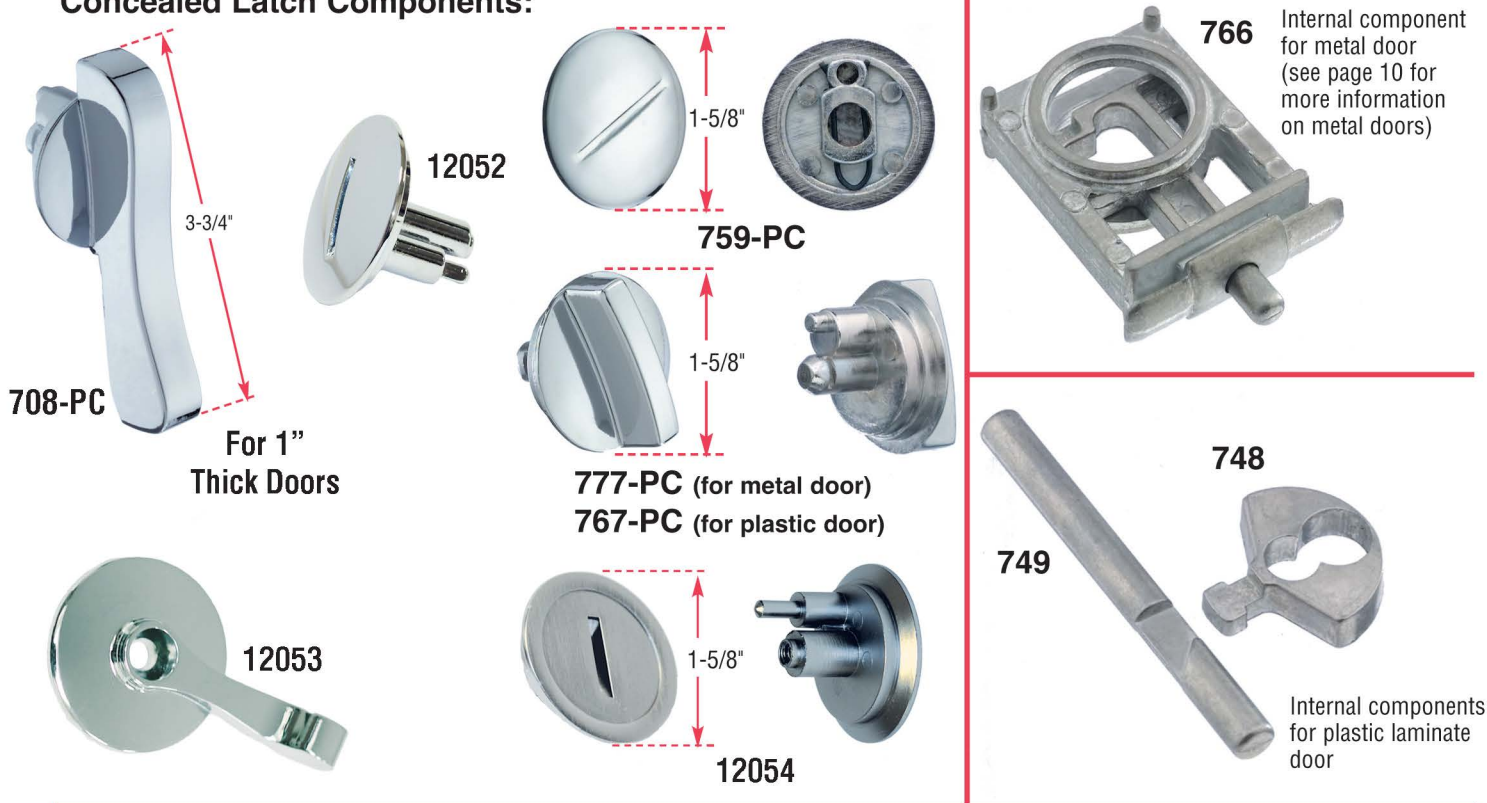
Die Cast Zamac Chrome Plated Finish – Individual components for replacement hardware.

For new installations, use complete sets shown on pages 7 – 14.



Same dimensions as #TP5050

Concealed Latch Components:



For 1" Thick Doors

777-PC (for metal door)
767-PC (for plastic door)

Internal components for plastic laminate door

Packaging Information

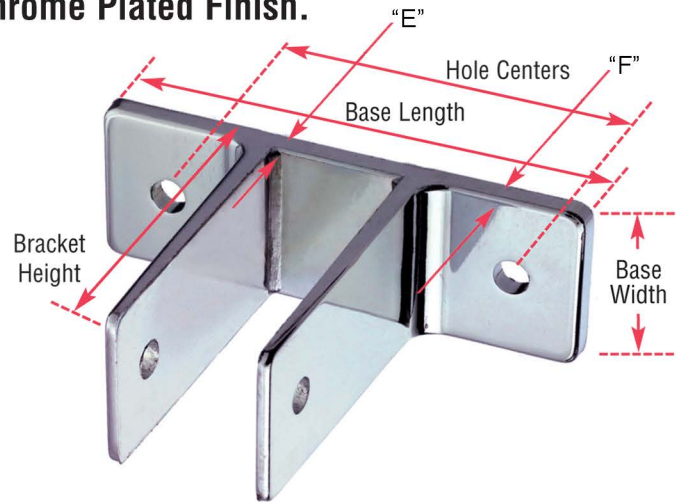
	Part #	Description	Quantity
Latches:	TP5020-CP	Slide Latch	200
	TP5050	Slide Latch	100
	TP5052	Offset Latch	100
	TP5155	Swing Latch	100
	708-PC	Handicap Latch	200
	759-PC	Female Latch Knob	300

	Part #	Description	Quantity
Latches:	777-PC	Male Latch Knob	200
	748	Concealed Cam	100
	749	Concealed Slide Bolt	100
	12052	Knob for Concealed Latch	200
	12053	Knob for Concealed Latch	200
	12054	Knob for Concealed Latch	300

HARRIS HARDWARE'S BRACKETS FOR: WALLS, URINAL SCREENS, ALCOVES & PILASTERS

Die Cast Zamac Chrome Plated Finish.

- ▶ Heavy duty chrome plated finish
- ▶ Durable Zamac Casting
- ▶ Minimal taper creates better visual
- ▶ Full assortment of sizes
- ▶ Excellent for metal or plastic laminate partitions
- ▶ Can be mounted with s/m/s or through bolts (sold separately)
- ▶ Also available in pre-packaged sets (see page 19-20)



Type	Part #	Panel Thickness	Bracket Height	Base Length	Base Width	Hole Centers	"E"	"F"
One Ear Wall Brackets	TP1656	7/8"	2-11/16"	2-1/2"	1-1/4"		.16	.16
	TP1766	1"	2-11/16"	2-1/2"	1-1/4"		.16	.16
	TP1846	1-1/4"	2-5/6"	2-5/8"	1-5/16"		.18	.18
	TP1856	1-1/4"	2-3/16"	2-5/8"	1-5/16"		.17	.17
Two Ear Wall Brackets	TP1636	7/8"	2-11/16"	3-3/4"	1-1/4"	2-11/16"	.17	.17
	TP1756	1"	2-11/16"	3-3/4"	1-5/16"	2-11/16"	.18	.18
	TP1836	1-1/4"	2-1/2"	4"	1-1/4"	3"	.29	.14
Two Ear Urinal Screen Bracket	TP1286	1"	3-1/2"	4"	1-1/4"	3"	.34	.18
"L" Brackets	TP1768	ANY	2-11/16"	2-1/2"	1-1/4"	1-5/16"	.17	—
	TP1866	ANY	2-11/16"	2-1/2"	1-1/4"	1-5/16"	—	—
"U" Brackets	TP1906	7/8"	1-7/16"	1-1/8"	1-1/4"	7/8"		
	TP1916	1"	1-5/16"	1-1/4"	1-1/4"	1"		
	732-PC	for 1" wide headrails				1"		
	722-PC	for 1-1/4" wide headrails				1-1/4"		
	11732	for 1" wide headrails				1"		
Alcove Clips	TP1550	1" to 1-1/4"		Polish Finish		Metal Partitions		
	11550	1/4" offset		Polish Finish		Plastic Partitions		
	TP8340	Sold by the piece. If you need 500 pairs, order 1,000 pieces.						

HARRIS HARDWARE'S PRE-PACKAGED ZAMAC BRACKET SETS

Each pack contains all of the necessary fasteners for mounting.

- ▶ Heavy duty chrome plated finish
- ▶ Pre-packaged to simplify handling
- ▶ All fasteners included
- ▶ Eliminate counting for individual jobs
- ▶ Three fastener versions available:
Type I, Type II, Type III
- ▶ Same brackets as shown on page 18
- ▶ Bulk brackets shown on page 18















Type I 1-1/2" screws and anchors for attaching to walls.
One-way 5/8" screws for attaching to panels.

Type II 1-1/2" screws and anchors for attaching to walls.
One-way through bolts for attaching to panels.

Type III Toggle bolts for attaching to wall.
One-way through bolts for attaching to panels.

Items listed in **bold** are stock items. Other items are packed to order.

Delivery time as follows: Allow one week for packaging less than 100 sets.
Inquire for lead times for packaging larger quantities.

Type I	Type II	Type III	Panel Thickness	Contents	
PILASTER PACKS					
TP15220	TP15220-P	TP15220-PT	1-1/4"	2-TP1846	
TP15240	TP15244	TP15245	1-1/4"	2-TP1856	
TP15250	TP15254	TP15255	1"	2-TP1766	
TP15230	TP15234	TP15235	1-1/4"	2-TP1836	
PANEL PACKS					
TP15020	TP15020-P	TP15020-PT	7/8"	2-TP1636 2-TP1906	
TP15030	TP15034	TP15035	1"	2-TP1756 2-TP1916	
TP15032	—	—	1"	2-TP1756 3-TP1916	
TP15060	TP15064	TP15065	7/8"	2-TP1656 2-TP1906	
TP15050	TP15054	TP15055	1"	2-TP1766 2-TP1916	
ALCOVE PACKS					
TP15320	TP15320-P	TP15320-PT	7/8"	2-TP1636, 4-TP8340	
TP15330	TP15334	TP15335	1"	2-TP1756, 4-TP8340	
TP15350	TP15354	TP15355	1"	2-TP1756, 4-TP8340, 1-TP1916	
15370	—	—	1"	2-TP1756, 4-TP8340, 1-722-PC	
TP15340	TP15344	TP15345	1"	2-TP1766, 4-TP8340	
TP15360	TP15364	TP15365	7/8"	2-TP1656, 4-TP8340	
1538	—	—	1"	2-TP1766, 2-TP8340, 1-722-PC	
—	TP8344	—		4-TP8340	
URINAL SCREEN PACKS					
TP15410	TP15414	TP15415	7/8"	2-TP1636	
TP15440	TP15444	TP15445	1"	2-TP1286	
TP15420	TP15420-P	TP15420-PT	7/8"	3-TP1636	
TP15510	TP15514	TP15515	1"	3-TP1286	

HARRIS HARDWARE'S PRE-PACKAGED ZAMAC BRACKET SETS














Each pack contains all of the necessary fasteners for mounting.

- ▶ Heavy duty chrome plated finish
- ▶ Pre-packaged to simplify handling
- ▶ All fasteners included
- ▶ Eliminate counting for individual jobs
- ▶ Two fastener versions available:
Type I, Type II
- ▶ Same brackets as shown on page 18
- ▶ Bulk brackets shown on page 18

- Type I** 1-1/2" screws and anchors for attaching to walls.
T27 fasteners for attaching to panels.
- Type II** 1-1/2" screws and anchors for attaching to walls.
T27 fasteners for attaching to panels.

Items listed in **bold** are stock items. Other items are packed to order.

Delivery time as follows: Allow one week for packaging less than 100 sets. Inquire for lead times for packaging larger quantities.

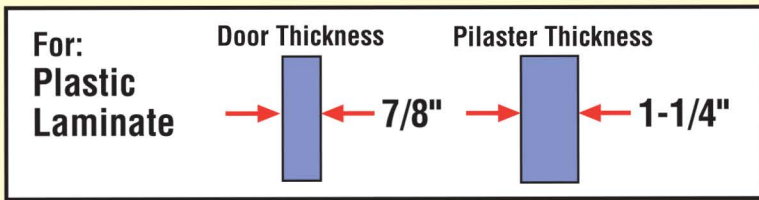
Type I	Type II	Panel Thickness	Contents	
PILASTER PACKS				
15227	15226	1-1/4"	2-TP1846	
15247	15246	1-1/4"	2-TP1856	
PANEL PACKS				
15027	15026	7/8"	2-TP1636 2-TP1906	
15037	15036	1"	2-TP1756 2-TP1916	
15067	15066	7/8"	2-TP1656 2-TP1906	
15057	15056	1"	2-TP1766 2-TP1916	
ALCOVE PACKS				
15327	15326	7/8"	2-TP1636 4-TP8340	
15337	15336	1"	2-TP1756 4-TP8340	
15357	15356	1"	2-TP1756, 4-TP8340, 1-TP1916	
15377	15376	1"	2-TP1756, 4-TP8340, 1-722-PC	
15347	15346	1"	2-TP1766, 4-TP8340	
15367	15366	7/8"	2-TP1656, 4-TP8340	
15387	15386	1"	2-TP1766, 4-TP8340, 1-722-PC	
—	8346	—	4-TP8340	
URINAL SCREEN PACKS				
15417	15416	7/8"	2-TP1636	
15447	15446	1"	2-TP1286	
15427	15426	7/8"	3-TP1636	
15517	15516	1"	3-TP1286	

ZAMAC ZAMAC ZAMAC ZAMAC ZAMAC ZAMAC ZAMAC ZAMAC ZAMAC ZAMAC

HARRIS HARDWARE'S COMPLETE DOOR HARDWARE SETS

Sets are packed in individual boxes. Set includes all items needed to mount one door.
Each box contains one complete set. The box contains all items shown on this page.

Part # 10014 Cast Stainless Inswing



- ▶ Each box contains all items shown on this page
- ▶ Includes all fasteners for mounting
- ▶ Self-Closing with adjustable closing position. Door can be easily set to fully close or to stay open at any angle.
- ▶ Heavy Duty Cast Stainless Steel is stronger and more durable than Zamac
- ▶ Hinges wrap around pilaster and mount with through bolts to provide strong attachment
- ▶ Hinges are recessed into door for a clean look
- ▶ Hinge pin is zinc plated for extra durability
- ▶ Through bolts are Stainless Steel to match hardware and have one-way tamperproof heads
- ▶ Packaging: One complete set per box: 2.5 lbs.
20 boxes per case: 52 lbs.

TP9719 (Qty. 6)

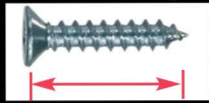


TP9829 (Qty. 6)



1x10-FZN (Qty. 2)

For door hinge.



#10 x 1"

TP9193 (Qty. 2)

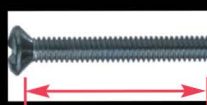
For coat hook.



#10 x 3/4"

TP9423 (Qty. 2)

For slide latch.



TP9763 (Qty. 2)

For slide latch.



305
Top Pin



Closed end design for the only true, clean look.
Patent #287817



306
Female Cam



TP3181



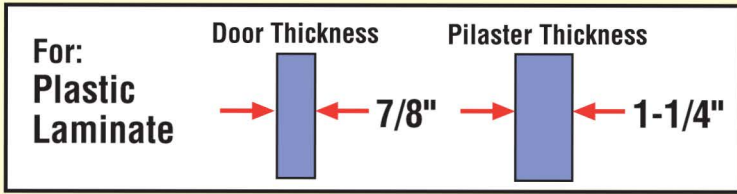
11510



HARRIS HARDWARE'S COMPLETE DOOR HARDWARE SETS

Sets are packed in individual boxes. Set includes all items needed to mount one door.
Each box contains one complete set. The box contains all items shown on this page.

Part # 10015 Cast Stainless Outswing



- ▶ Each box contains all items shown on this page
- ▶ Includes all fasteners for mounting
- ▶ Self-Closing with adjustable closing position. Door can be easily set to fully close or to stay open at any angle.
- ▶ Heavy Duty Cast Stainless Steel is stronger and more durable than Zamac
- ▶ Hinges wrap around pilaster and mount with through bolts to provide strong attachment
- ▶ Hinges are recessed into door for a clean look
- ▶ Hinge pin is zinc plated for extra durability.
- ▶ Through bolts are Stainless Steel to match hardware and have one-way tamperproof heads
- ▶ Packaging: One complete set per box: 2.4 lbs.
20 boxes per case: 52 lbs.



Closed end design for the only true, clean look. Patent #287817



TP9719 (Qty. 6)

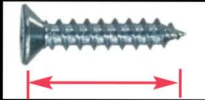


TP9829 (Qty. 6)



1x10-FZN (Qty. 2)

For door hinge.



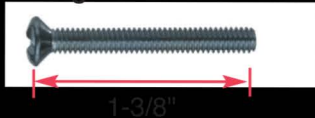
TP9193 (Qty. 2)

For coat hook.



TP9463 (Qty. 2)

Attaches through slide latch and into pull.



305 Top Pin



306 Female Cam



Closed end design for the only true, clean look. Patent #287817

TP3181



STAINLESS STEEL

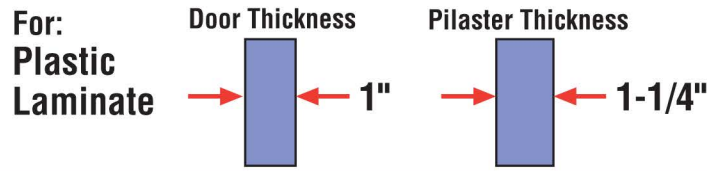
STAINLESS STEEL

STAINLESS STEEL

HARRIS HARDWARE'S COMPLETE DOOR HARDWARE SETS

Sets are packed in individual boxes. Set includes all items needed to mount one door.
Each box contains one complete set. The box contains all items shown on this page.

Part # 10006 Cast Stainless Inswing



- ▶ Each box contains all items shown on this page
- ▶ Includes all fasteners for mounting
- ▶ Self-Closing with adjustable closing position. Door can be easily set to fully close or to stay open at any angle.
- ▶ Heavy Duty Cast Stainless Steel is stronger and more durable than Zamac
- ▶ Hinges wrap around pilaster and mount with through bolts to provide strong attachment
- ▶ Hinges are recessed into door for a clean look
- ▶ Hinge pin is zinc plated for extra durability
- ▶ Through bolts are Stainless Steel to match hardware and have one-way tamperproof heads
- ▶ Packaging: One complete set per box: 2.5 lbs.
20 boxes per case: 52 lbs.

97197 (Qty. 6)



All T27 Fastners

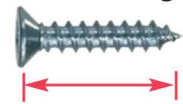
98297 (Qty. 6)



All T27 Fastners

1x10-FZN (Qty. 2)

For door hinge.



#10 x 1"

91937 (Qty. 2)

For coat hook.



#10 x 5/8"

98197 (Qty. 2)

For slide latch.



1-3/16"

97197 (Qty. 2)

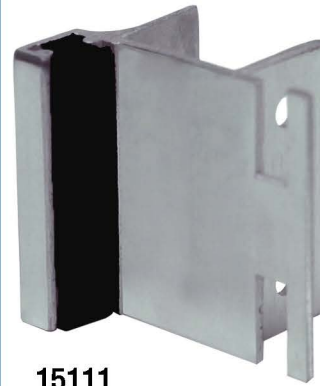
For slide latch.



5/8"

305

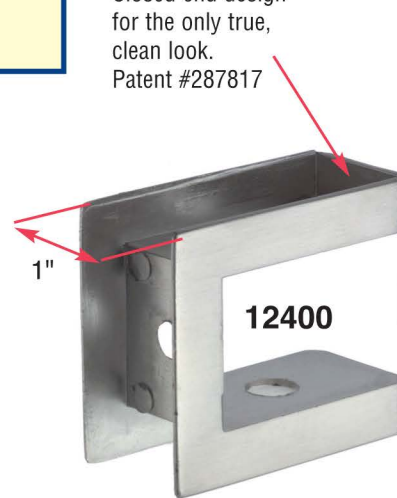
Top Pin



15053



Closed end design for the only true, clean look. Patent #287817



306 Female Cam



TP3181



12480

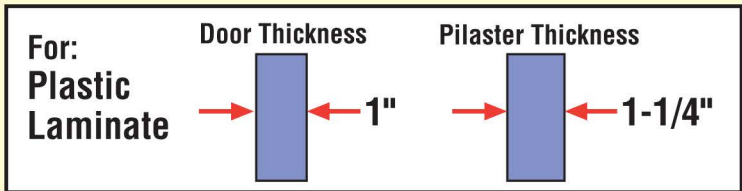


Closed end design for the only true, clean look. Patent #287817

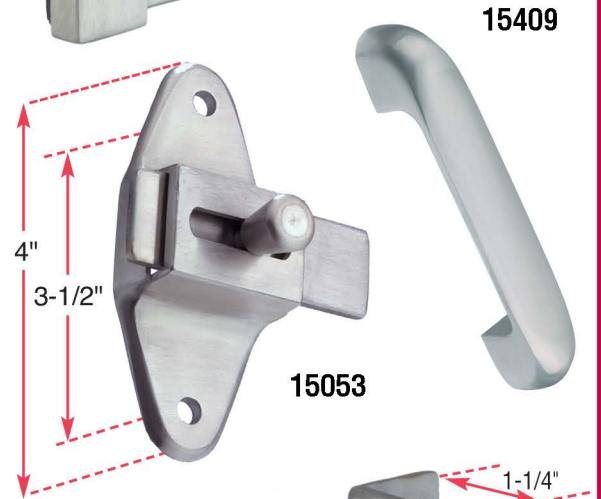
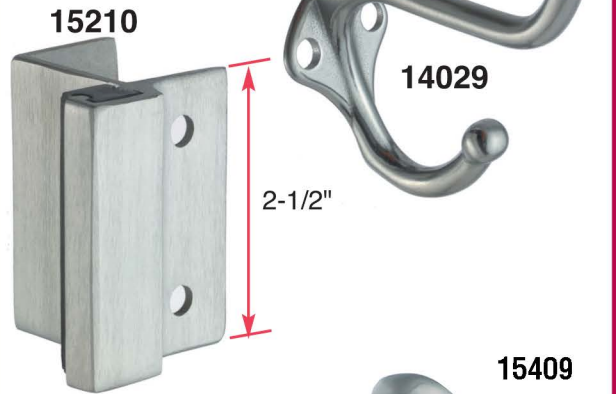
HARRIS HARDWARE'S COMPLETE DOOR HARDWARE SETS

Sets are packed in individual boxes. Set includes all items needed to mount one door.
Each box contains one complete set. The box contains all items shown on this page.

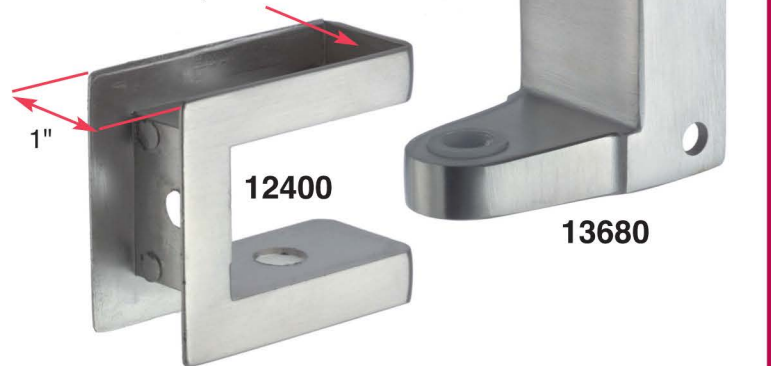
Part # 10007 Cast Stainless Outswing



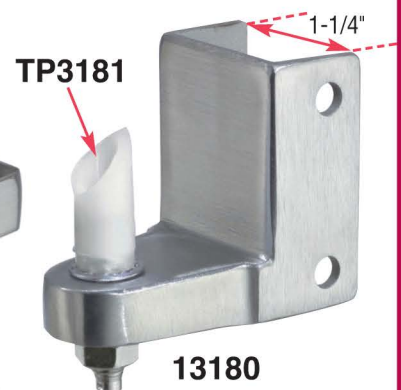
- ▶ Each box contains all items shown on this page
- ▶ Includes all fasteners for mounting
- ▶ Self-Closing with adjustable closing position. Door can be easily set to fully close or to stay open at any angle.
- ▶ Heavy Duty Cast Stainless Steel is stronger and more durable than Zamac
- ▶ Hinges wrap around pilaster and mount with through bolts to provide strong attachment
- ▶ Hinges are recessed into door for a clean look
- ▶ Hinge pin is zinc plated for extra durability
- ▶ Through bolts are Stainless Steel to match hardware and have one-way tamperproof heads
- ▶ Packaging: One complete set per box: 2.4 lbs.
20 boxes per case: 52 lbs.



Closed end design for the only true, clean look. Patent #287817



306 Female Cam



Closed end design for the only true, clean look. Patent #287817

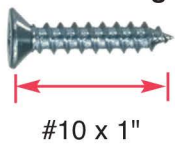
97197 (Qty.6)



98297 (Qty.8)



1x10-FZN (Qty. 2)
For door hinge.



91937 (Qty.2)
For coat hook.



Slide Latch

97197 (Qty.2)



98197 (Qty.2)



305 Top Pin



STAINLESS STEEL

STAINLESS STEEL

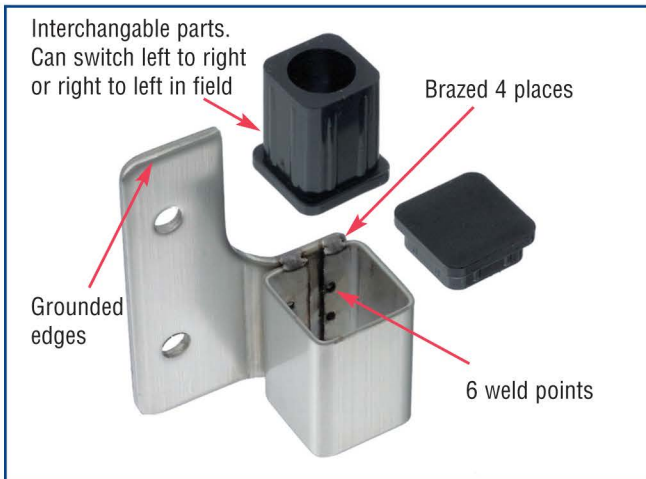
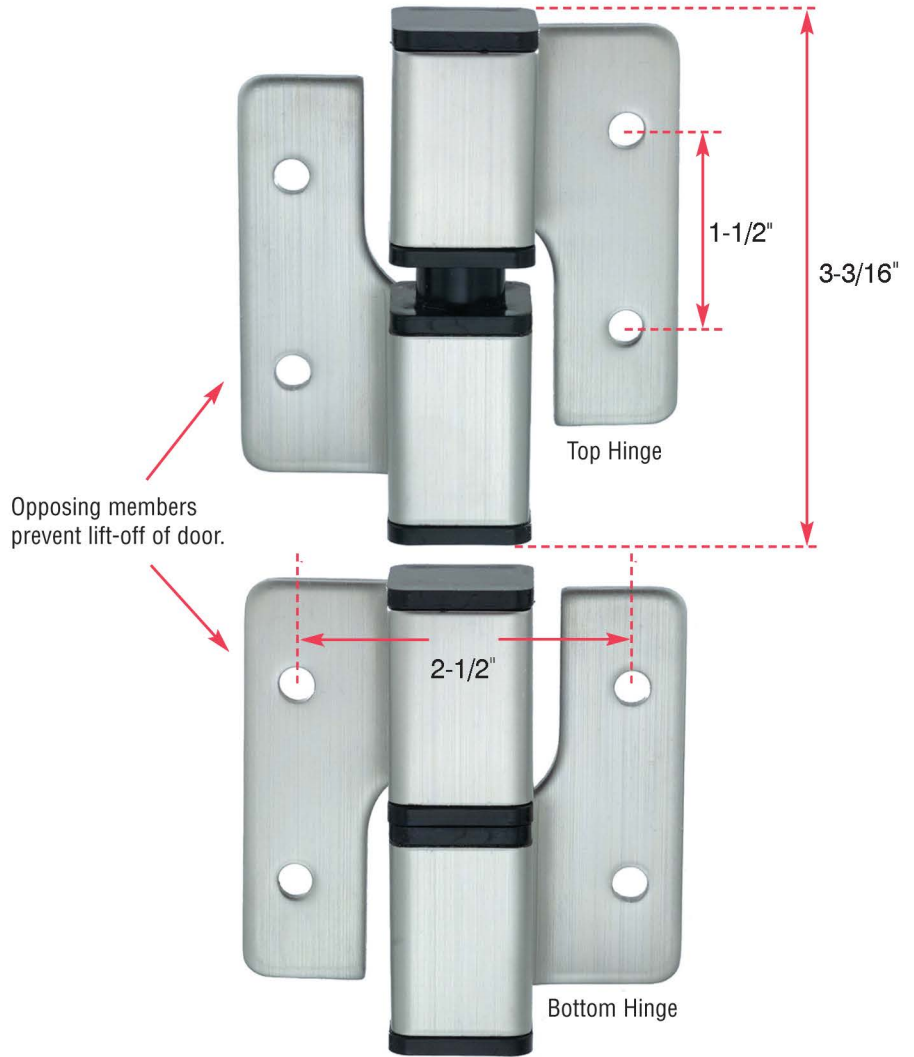
STAINLESS STEEL

HARRIS HARDWARE'S STAINLESS STEEL HINGES FOR TOILET PARTITIONS

STAINLESS STEEL

TP8410 & TP8411

- ▶ Each set includes top hinge & bottom hinge. Each set is suitable for one door.
- ▶ #4 Satin Finish
- ▶ Surface mounted. Suitable for any thickness door & pilaster.
- ▶ 1018 cold rolled stainless steel
- ▶ 3/16" thick stainless
- ▶ Self-closing- Gravity activated, no springs. Door rises 7/16.
- ▶ Adjustable position. Door can be set to fully close or stay ajar. Field adjustable — instructions included with each hinge.
- ▶ Stainless steel pin covered in nylon outer
- ▶ Grounded edges
- ▶ Brazed and welded for superior strength
- ▶ Use stainless steel through bolts for mounting (sold separately, see page 34)

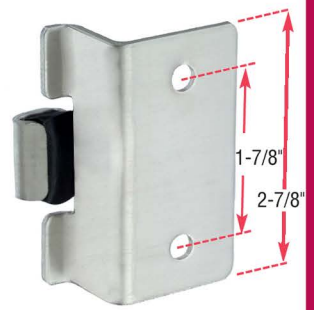
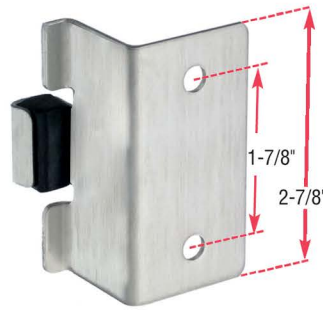
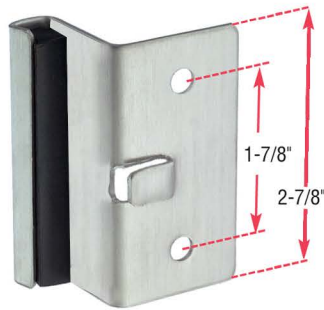
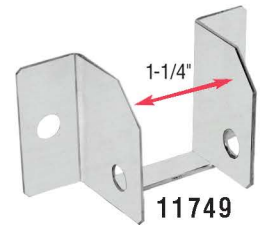
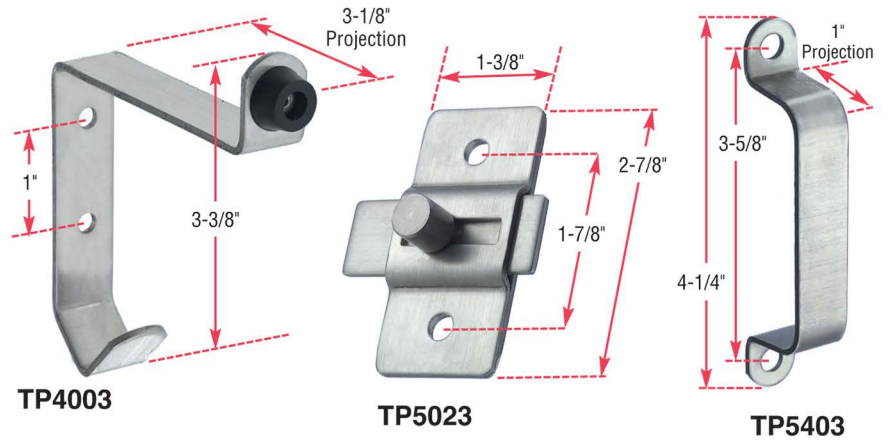


Part #	Description	Packed 1 set per box	Case Quantity	Case Dimensions	Case Wt.
TP8410	Hinge set - Left in, Right out. Full pair, includes top and bottom hinges.		40 sets	15.5" x 11" x 9"	45.2 lbs.
TP8411	Hinge set - Right in, Left out. Full pair, includes top and bottom hinges.		40 sets	15.5" x 11" x 9"	45.2 lbs.
TP8412	Half pair - Left. Use with TP8410 to create 3 hinge set for larger doors.		40 sets	15" x 11" x 9-1/4"	19.8 lbs.
TP8413	Half pair - Right. Use with TP8411 to create 3 hinge set for larger doors.		40 sets	15" x 11" x 9-1/4"	19.8 lbs.

See diagram on bottom of page 6 to determine whether you need left hinge or right hinge.

STAMPED STAINLESS STEEL DOOR COMPONENTS

- ▶ 14 Gauge Cold Rolled Stainless Steel
- ▶ #4 Satin Finish
- ▶ Matches Stainless Steel Stamped Brackets (page 27)
- ▶ Emergency Access strike and keepers
- ▶ Holes centers on pull and slide latch match up. Drill only one set of holes in door and mount with through bolts.
- ▶ Durable stainless steel will not rust
- ▶ Use with stainless steel fasteners (sold separately, see page 34)



TP8500

TP8520

TP8600

TP8620



18700



18701



18702



18703

Part #	Description	Quantity
TP4003	Coat Hook & Door Bumper	300
TP5023	Slide Latch	300
TP5403	Door Pull	300
TP7313	Door Bumper	300
TP7333	1" Coat Hook & Door Bumper	300
11749	1-1/4" Stamped Stainless Headrail Bracket	300
TP8500	1" Door Inswing Strike & Keeper	300
TP8520	3/4" Door Inswing Strike & Keeper	300

Part #	Description	Quantity
TP8600	1" Door Outswing Strike & Keeper	300
TP8620	3/4" Door Outswing Strike & Keeper	300
18700	Outswing Strike & Keeper	300
18701	Stainless Steel Keeper	300
18702	Surface Mount Outswing Strike & Keeper	300
18703	Surface Mount Inswing Strike & Keeper	300

STAINLESS STEEL

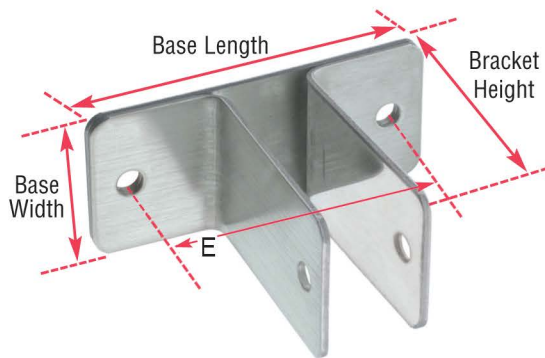
STAINLESS STEEL

STAINLESS STEEL

HARRIS HARDWARE'S STAMPED STAINLESS STEEL BRACKETS

For Walls, Urinal Screens, Alcoves, and Pilasters. High Quality — Extremely Durable.

- ▶ Heavy duty 14 gauge cold rolled stainless steel
- ▶ #4 Satin finish
- ▶ Rounded corners
- ▶ Use with stainless steel fasteners (see page 34)
- ▶ High quality
- ▶ Extremely durable
- ▶ For Headrail Bracket & Matching Door Components (see pages 28-29)



TWO EAR WALL BRACKETS:

Part #	Panel Thickness	Bracket Height	Base Length	Base Width	"E"
11569	1/2"	2-1/2"	3-1/4"	1-1/2"	2-1/2"
11629	3/4"	2-1/2"	3-5/8"	1-1/2"	2-7/16"
11759	1"	2-1/2"	3-11/16"	1-1/2"	

ONE EAR WALL BRACKETS:

Part #	Panel Thickness	Bracket Height	Base Length	Base Width
11579	1/2"	2-1/2"	1-7/8"	1-1/2"
11649	3/4"	2-1/2"	2-1/8"	1-1/2"
11659	7/8"	2-1/2"	2-5/16"	1-1/2"
11769	1"	2-1/2"	2-7/16"	1-1/2"
11849	1-1/4"	2-1/2"	2-3/4"	1-1/2"



TWO EAR URINAL BRACKETS:

Part #	Panel Thickness	Bracket Height	Base Length	Base Width
11289	1"	3-3/4"	3-3/4"	1-1/2"
11469	1/2"	2-1/2"	3-1/4"	1-1/2"
12209	1/2"	2-1/2"	3-5/8"	3"
12269	1"	2-1/2"	3-5/8"	3"

ONE EAR MINI-WALL BRACKETS:

Part #	Panel Thickness	Bracket Height	Base Length	Base Width
11679	3/4"	1-1/2"	2-5/16"	1-1/2"
11689	3/4"	1-15/16"	2-5/16"	1-1/2"
11819	1-1/4"	1-15/16"	2-1/2"	1-1/2"



"U" BRACKETS:

Part #	Panel Thickness	Bracket Height	Base Length	Base Width
11879	1/2"	1-1/2"	5/8"	1-1/2"
11899	3/4"	1-1/2"	7/8"	1-1/2"
11909	7/8"	1-1/2"	1"	1-1/2"
11919	1"	1-1/2"	1-1/4"	1-1/2"

EXTRA LONG "U" BRACKETS:

Part #	Panel Thickness	Bracket Height	Base Length	Base Width
11999	1/2"	2-1/2"	5/8"	1-1/2"
11989	3/4"	2-1/2"	7/8"	1-1/2"
11929	1"	2-1/2"	1-1/4"	1-1/2"
11959	1-1/4"	2-3/8"	1-7/16"	1-1/2"

ALCOVE BRACKET:

Part #	Description
18349	For 1/4" offset in panel thickness

HARRIS HARDWARE'S STAMPED STAINLESS STEEL PRE-PACKAGED BRACKET SETS

Each pack contains all the necessary T27 fasteners for mounting.

- ▶ Heavy duty stainless steel
- ▶ Same high quality as shown on page 27
- ▶ Pre-packaged sets save time & money
- ▶ Eliminate counting of individual screws
- ▶ Pre-packaged with anchors and stainless steel fasteners in heavy-duty, see-through plastic bag for easy identification
- ▶ Packaged to order. Please allow 2 weeks for packaging
- ▶ Packed 50 sets per carton
- ▶ T27 fasteners- with security pin

Pilaster Packs



Part #	Panel Thickness	Contents	
15818	3/4"	(2) #11649 (4) Anchors	(4) 2" Screws (2) sets Through Bolts
15258	1"	(2) #11769 (4) Anchors	(4) 2" Screws (2) sets Through Bolts
15238	1-1/4"	(2) #11849 (4) Anchors	(4) 2" Screws (2) sets Through Bolts

Mini-Pilaster Pack



Part #	Panel Thickness	Contents	
15828	1-1/4"	(2) #11819 (4) Anchors	(4) 2" Screws (4) 5/8" Screws

Panel Packs



Part #	Panel Thickness	Contents	
15118	1/2"	(2) #11579 (4) 5/8" Screws (4) Anchors	(2) #11879 (4) 2" Screws (4) sets Through Bolts
15018	3/4"	(2) #11649 (4) 5/8" Screws (4) Anchors	(2) #11899 (4) 2" Screws (4) sets Through Bolts
15028	3/4"	(2) #11659 (4) 5/8" Screws (4) Anchors	(2) #11909 (4) 2" Screws (4) sets Through Bolts
15058	1"	(2) #11769 (4) 5/8" Screws (4) Anchors	(2) #11919 (4) 2" Screws (4) sets Through Bolts
15008	1/2"	(2) #11569 (4) 2" Screws (4) 5/8" Screws	(2) 11879 (4) sets Through Bolts (4) Anchors
15108	3/4"	(2) #11629 (4) 2" Screws (4) Anchors	(2) 11899 (4) 5/8" Screws (4) sets Through Bolts
15038	1"	(2) #11759 (4) 2" Screws (4) Anchors	(2) 11919 (4) 5/8" Screws (4) sets Through Bolts

Alcove Packs



Part #	Panel Thickness	Contents	
15358	1/2"	(2) #11569 (4) 2" Screws (6) sets Through Bolts	(4) 18349 (4) Anchors

Urinal Screen Packs



Part #	Panel Thickness	Contents	
15398	1/2"	(3) #11469 (x-long 2 ear brackets) (6) Anchors	(6) 2" Screws (6) sets Through Bolts
15448	1"	(2) #11289 (x-long 2 ear brackets) (6) 2" Screws (6) Anchors	(4) sets Through Bolts

HARRIS HARDWARE'S STAMPED STAINLESS STEEL PRE-PACKAGED BRACKET SETS

Each pack contains all the necessary one-way fasteners for mounting.

- ▶ Heavy duty stainless steel
- ▶ Same high quality as shown on page 27
- ▶ Pre-packaged sets save time & money
- ▶ Eliminate counting of individual screws
- ▶ Pre-packaged with anchors and stainless steel fasteners in heavy-duty, see-through plastic bag for easy identification
- ▶ Packaged to order. Please allow 2 weeks for packaging
- ▶ Packed 50 sets per carton
- ▶ One-way fasteners

Pilaster Packs



Part #	Panel Thickness	Contents	
15819	3/4"	(2) #11649 (4) Anchors	(4) 1-1/2" Screws (2) sets Through Bolts
15259	1"	(2) #11769 (4) Anchors	(4) 1-1/2" Screws (2) sets Through Bolts
TP15239	1-1/4"	(2) #11849 (4) Anchors	(4) 1-1/2" Screws (4) 5/8" Screws

Mini-Pilaster Pack



Part #	Panel Thickness	Contents	
15829	1-1/4"	(2) #11819 (4) Anchors	(4) 1-1/2" Screws (4) 5/8" Screws

Panel Packs



Part #	Panel Thickness	Contents	
15119	1/2"	(2) #11579 (4) 5/8" Screws (4) Anchors	(2) #11879 (4) 1-1/2" Screws (4) sets Through Bolts
15019	3/4"	(2) #11649 (12) 5/8" Screws (4) Anchors	(2) #11899 (4) 1-1/2" Screws
15029	7/8"	(2) #11659 (12) 5/8" Screws (4) Anchors	(2) #11909 (4) 1-1/2" Screws
TP15059	1"	(2) #11769 (12) 5/8" Screws (4) Anchors	(2) #11919 (4) 1-1/2" Screws
15009	1/2"	(2) #11569 (4) 1-1/2" Screws (4) 5/8" Screws	(2) 11879 (4) sets Through Bolts (4) Anchors
15109	3/4"	(2) #11629 (4) 1-1/2" Screws (4) Anchors	(2) 11899 (12) 5/8" Screws
TP15039	1"	(2) #11759 (4) 1-1/2" Screws (4) Anchors	(2) 11919 (12) 5/8" Screws

Alcove Packs



Part #	Panel Thickness	Contents	
15359	1/2"	(2) #11569 (4) 1-1/2" Screws (6) sets Through Bolts	(4) 18349 (4) Anchors

Urinal Screen Packs

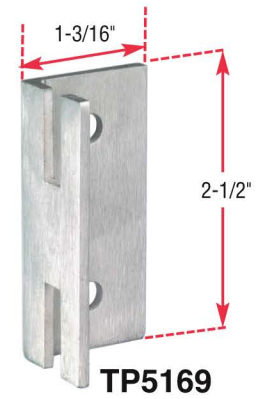
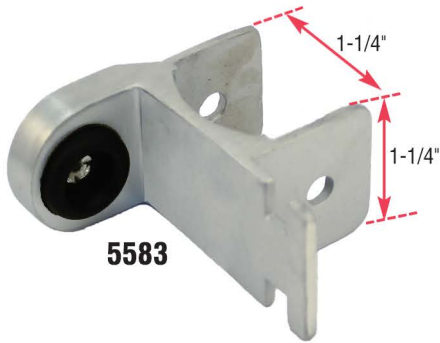
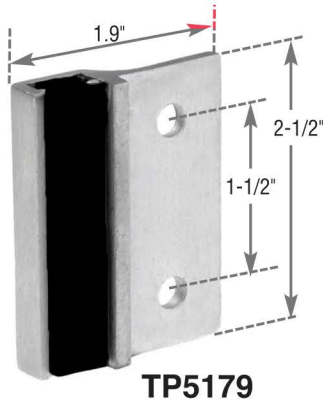


Part #	Panel Thickness	Contents	
15399	1/2"	(3) #11469 (x-long 2 ear brackets) (6) Anchors	(6) 1-1/2" Screws (6) sets Through Bolts
TP15449	1"	(2) #11289 (x-long 2 ear brackets) (6) 1-1/2" Screws (6) Anchors	(8) 5/8" Screws

CAST STAINLESS STEEL HARDWARE

Purchase components or complete sets. See pages 22-24 for complete door sets.

- ▶ High end premium product
- ▶ For a high-end installation where the quality, the look, the feel and the durability are the # 1 requirements
- ▶ Cast stainless steel. No plating that can wear over time.
- ▶ One solid piece. No welds or joints like stamped s/s brackets.
- ▶ Higher strength than cast zamac
- ▶ Stainless steel fasteners sold separately (see page 34)
- ▶ Purchase components or complete sets (see pages 21-24)



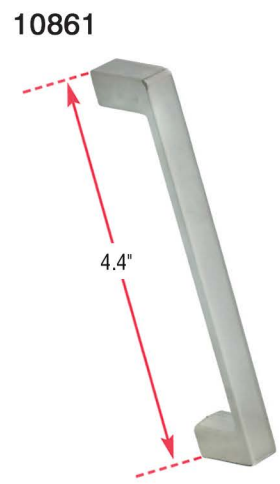
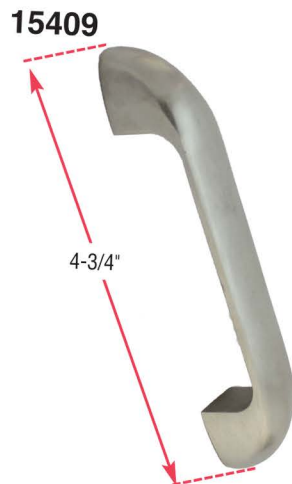
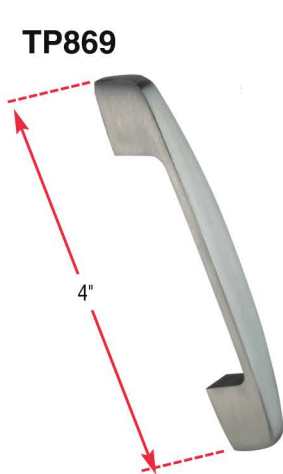
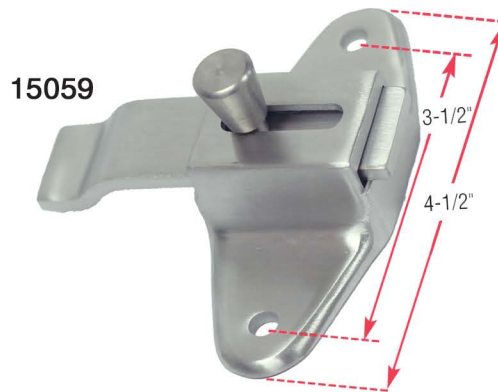
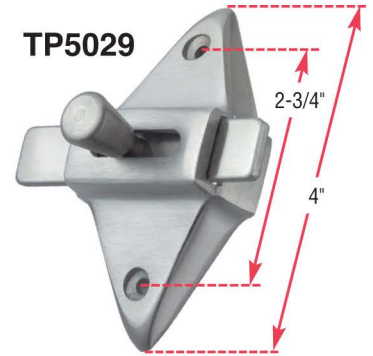
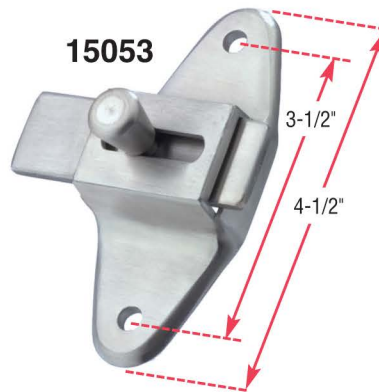
Part #	Description	Quantity
TP5169	Inswing Keeper (used w/ TP5179)	250
TP5179	Strike & Keeper - outswing for any thickness pilaster	250
15110	Inwing strike & keeper 1-1/4" pilaster - 1" door	100
15111	Inwing strike & keeper 1-1/4" pilaster - 1" door	100
15210	Outswing strike & keeper 1-1/4" pilaster - 1" door	100

Part #	Description	Quantity
5573	Outswing Strike & Keeper	250
5583	Inswing Strike & Keeper	250
15513	Strike & Keeper 1-1/4" metal pilaster	100

CAST STAINLESS STEEL HARDWARE

Purchase components or complete sets. See pages 22-24 for complete door sets.

- ▶ High end premium product
- ▶ For a high-end installation where the quality, the look, the feel and the durability are the # 1 requirements
- ▶ Cast stainless steel. No plating that can wear over time.
- ▶ One solid piece. No welds or joints like stamped s/s brackets.
- ▶ Higher strength than cast zamac
- ▶ Stainless steel fasteners sold separately (see page 34)
- ▶ Purchase components or complete sets (see pages 21-24)

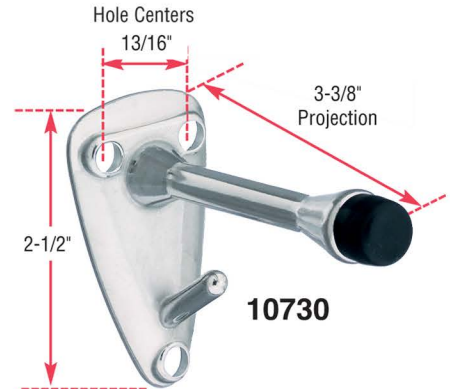
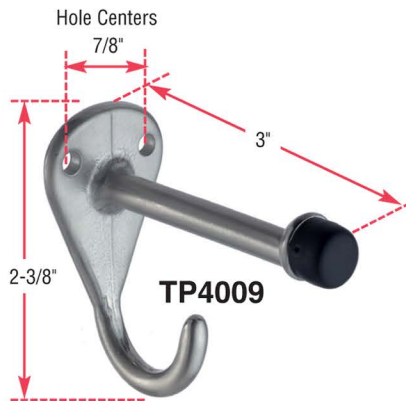
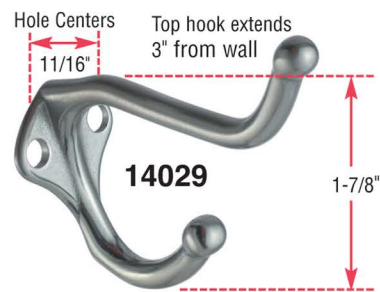
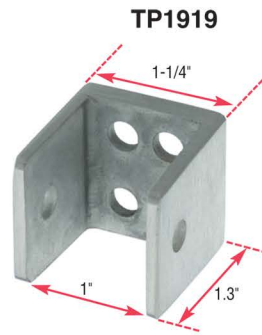
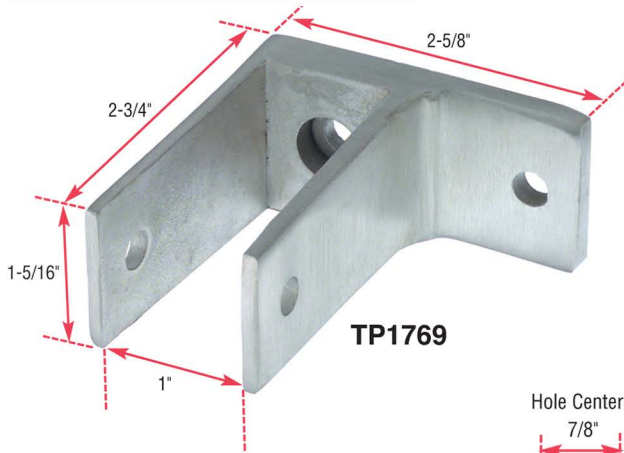
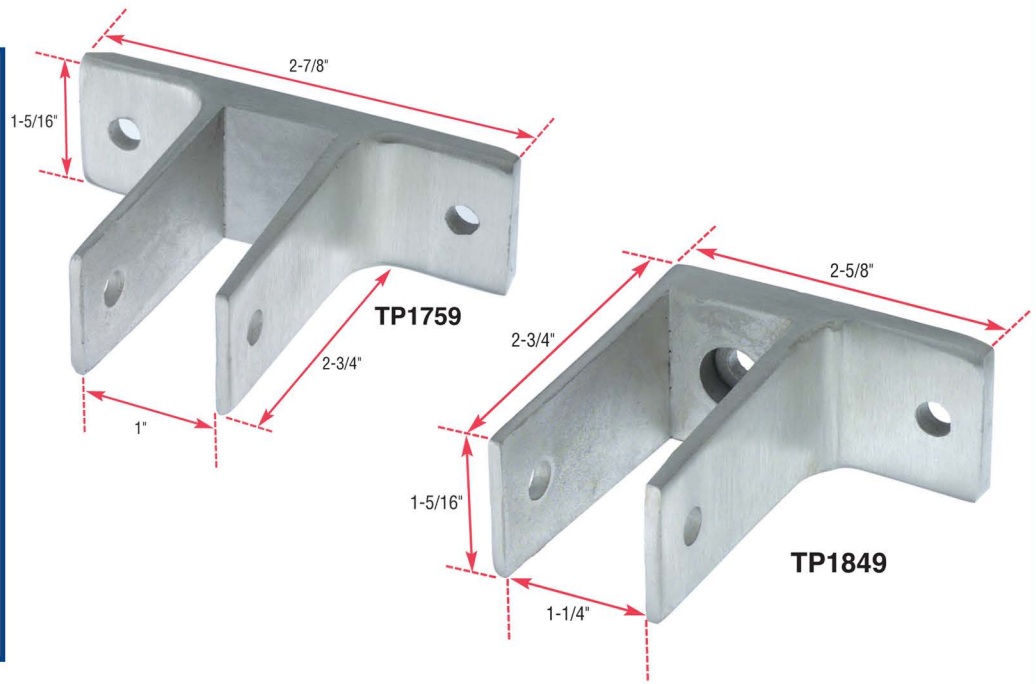


Part #	Description	Quantity
15053	Slide Latch	250
TP5029	Slide Latch	100
15059	Slide Latch	100
TP869	Pull	100
15409	Pull	100
15449	Pull	100
10861	Pull	100

STAINLESS STEEL

CAST STAINLESS STEEL BRACKETS AND COAT HOOKS

- ▶ High-end premium brackets
- ▶ For a high-end installation where the quality, the look, the feel and the durability are the #1 requirements
- ▶ Cast stainless steel. No plating that can wear over time
- ▶ One solid piece, no welds
- ▶ Higher strength than cast zamac
- ▶ Use with stainless steel fasteners sold separately (see page 34)



MASTER CARTON

INNER BOX

Part #	Description	Quantity	Dimensions (L x W x H)	Wt	Inner Qty.	Inner wt.	Inner dimension
TP1759	Two ear bracket – for 1" thick partition	128	17" x 6" x 12-1/2"	57.	—	—	—
TP1769	One ear bracket – for 1" thick partition	200	17" x 6" x 12-1/2"	84.	—	—	—
TP1849	One ear bracket – for 1-1/4" thick partition	200	17" x 6" x 12-1/2"	76.	—	—	—
TP1919	'U' bracket – for 1" thick partition	500	10" x 15" x 7"	80.	—	—	—
TP4009	Coat Hook & Bumper	500	10-1/2"x22"x10-1/2"	78.	50	7.9	10"x4-1/2"x5"
10730	Coat Hook & Bumper	250	10-3/4"x7"x22-1/2"	52.	50	9.5	10"x6-1/4"x4-1/4"
10731	Door Stop	300	13-1/2 x 10-1/2 x 22-1/2	59.2	50	5.7	—
14029	Coat Hook	500	12"x19-1/2"x8-1/2"	53.	50	4.9	7-1/2"x3-1/2"x5-3/4"

STAINLESS STEEL

STAINLESS STEEL

STAINLESS STEEL

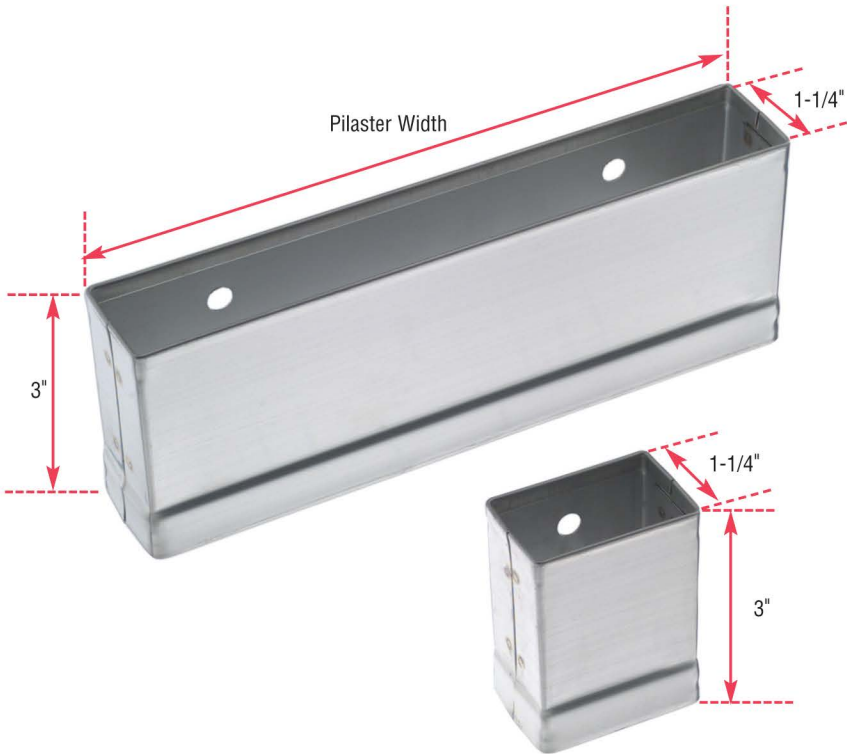
HARRIS HARDWARE'S STAINLESS STEEL SHOES

Stainless Steel shoes for 1-1/4" thick pilasters. 3" Height

TP38 Series – Shoes complete with brackets
(includes TP3798 or TP3799
as required)

TP39 Series – Shoes only

Part # Shoes Only	Part # Shoes with Brackets	Pilaster Width
TP3900	TP3800	2"
TP3909	TP3809	3"
TP3919	TP3819	4"
TP3929	TP3829	5"
TP3939	TP3839	6"
TP3937	TP3837	7"
TP3949	TP3849	8"
TP3979	TP3879	9"
TP3959	TP3859	10"
TP3969	TP3869	12"
TP3981	TP3881	18"



PILASTER MOUNTING HARDWARE (ZAMAC)

Brackets for mounting Stainless Steel shoes

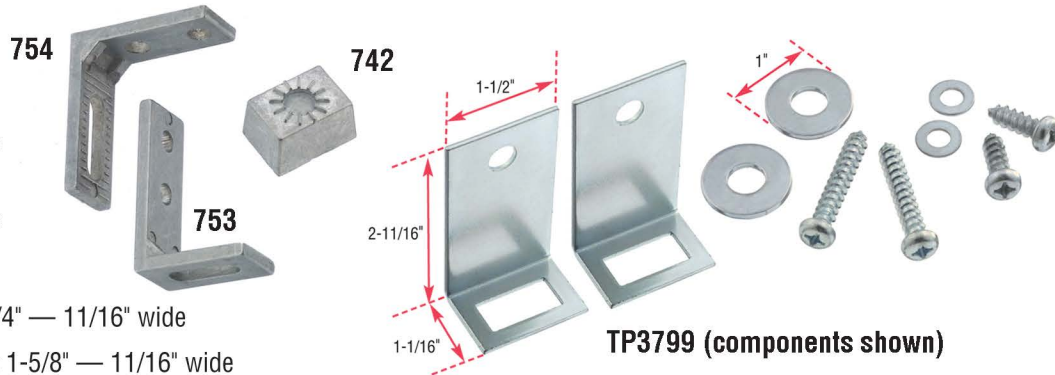
TP3798 – One bracket per bag
with screws & washers

TP3799 – Two brackets per bag
with screws & washers

742 – Riser Nut

753 – Floor Bracket, 1-7/8" x 1-1/4" — 11/16" wide

754 – Mounting Bracket, 1-3/4" x 1-5/8" — 11/16" wide



TP3799 (components shown)

Stainless Steel shoes for 1-1/4" thick pilasters. 4" Height








Part #	Pilaster Width	QTY Per Case
24002	2"	160
24003	3"	160
24004	4"	80
24005	5"	80
24006	6"	80
24007	7"	64
24008	8"	64
24009	9"	64
24010	10"	48
24012	12"	48
24014	14"	32
24016	16"	32
24018	18"	32
24020	20"	32
24022	22"	16
24024	24"	16

HARRIS HARDWARE'S STAINLESS STEEL FASTENERS

For chrome plated steel fasteners, see page 46.

- ▶ Stainless steel
- ▶ For severe applications
- ▶ Designed for use with stainless steel hardware and aluminum hardware
- ▶ Will not rust
- ▶ Shoulder bolts & barrel nuts are one-way drive (tamper proof)
- ▶ Available in bulk or mini-packs (100 pieces)
- ▶ Specially designed for use with partition hardware — 1/4" shoulder to fit hardware
- ▶ Shoulder bolts and barrel nuts are sold separately but used in sets (1:1 ratio)

	Size	Bulk Pack		Mini-Pack
		Packed: 5,000 / ctn 1,000 / bag	Order by the number of screws in multiples of 1,000	Packed: 100 / box Order by the number of boxes (1 box = 100 screws)
		 One-way Part #	 T27 Part #	 One-way Part #
Shoulder Bolts: 10/24 thread				
	1/2"	97790	97797	97793
	3/4"	TP9789	97897	97893
	15/16"	TP9799	97997	97993
	1-1/16"	TP9809	98097	98093
	1-3/16"	TP9819	98197	98193
	1-5/16"	TP9829	98297	98293
Barrel Nuts: 10/24 thread; 8/32 thread				
	1/2"	TP9709	97097	97093
	5/8"	TP9719	97197	97193
	8/32 x 1/2"	—	97637	—
Sheet Metal Screws: Pan Head				
	#14 x 1/2"	—	91187	—
	#10 x 5/8"	—	91937	—
	#14 x 5/8"	91123	—	91103
	#14 x 3/4"	—	91247	—
	#12 x 2"	—	91237	—
	#14 x 2"	91223	91227	91203
Machine Screws: Oval Head				
	8/32 x 1"	—	94237	—
	8/32 x 1-5/8"	—	94837	—

For chrome plated steel fasteners, see page 43.

T27 and T30 Bits



91417 T27



91418 T30

Guide to fastener selection

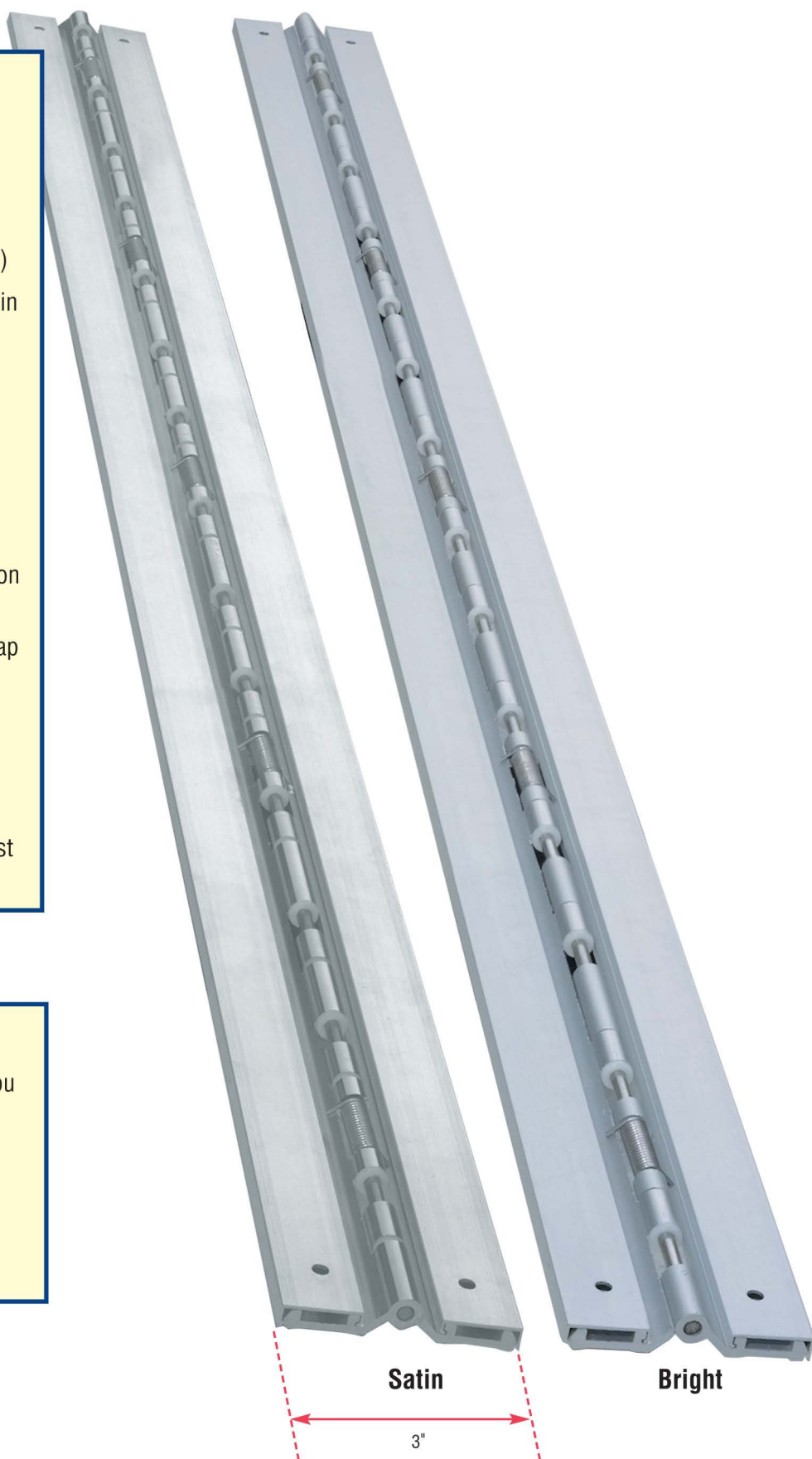
Item	Pilaster, panel or door thickness	Shoulder bolt length	Barrel Nut length
Cast s/s strike & keepers Part # 15110, 15210, 15513	1-1/4"	1-5/16"	5/8"
1/2" stamped s/s brackets	1/2"	1/2"	1/2"
3/4" stamped s/s brackets	3/4"	3/4"	1/2" or 5/8"
7/8" stamped s/s brackets	7/8"	15/16"	5/8" or 1/2"
1" stamped or cast s/s brackets	1"	1-1/16"	5/8"
1-1/4" stamped or cast s/s brackets	1-1/4"	1-5/16"	5/8"
Hinges	3/4"	3/4"	1/2"
Part # TP8410 or TP8411	7/8"	15/16"	5/8"
	1"	15/16"	5/8"
	1-1/4"	1-1/16"	5/8"

ALUMINUM FULL LENGTH SELF-CLOSING HINGE

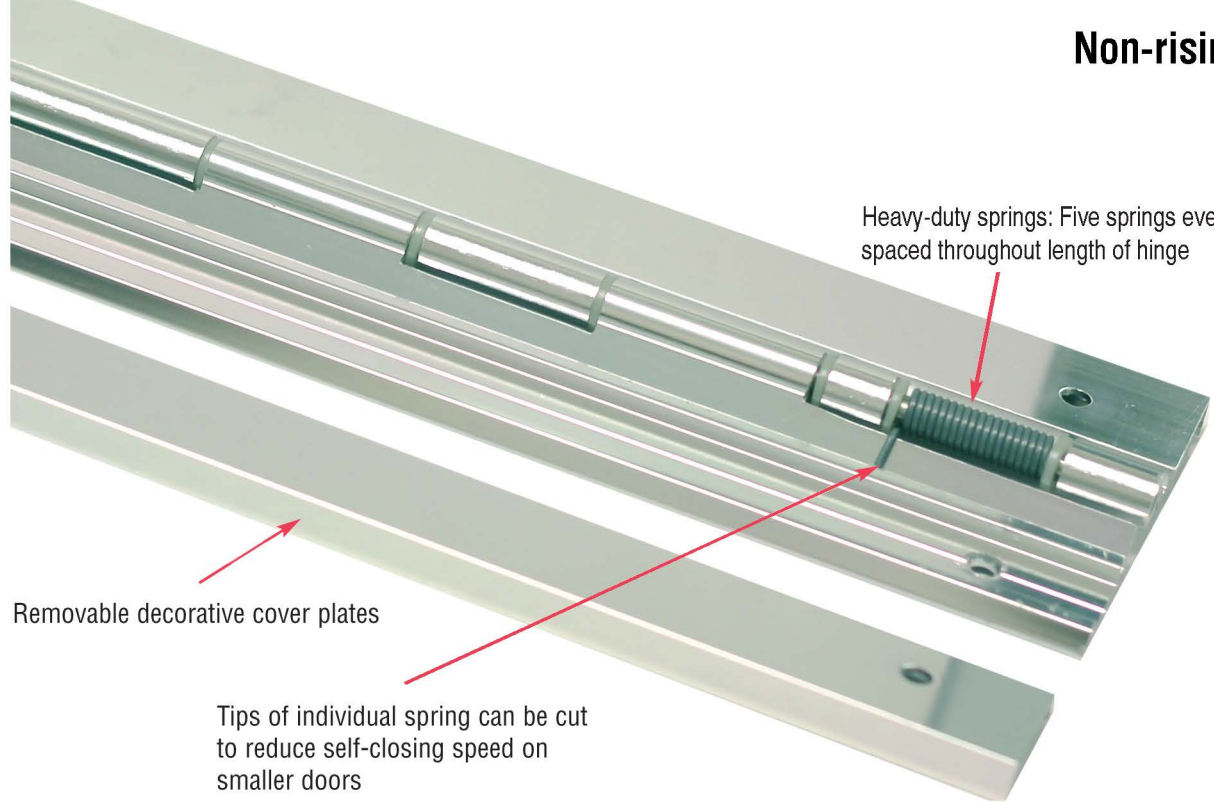
- ▶ For the most severe applications. Heavy duty — excellent for regular doors or oversized handicap doors.
- ▶ Self-closing. Five heavy duty springs on each hinge.
- ▶ Emergency access (hinge can lift 1.5")
- ▶ 1/4" thick heavy duty stainless steel pin
- ▶ 1/2" diameter knuckle
- ▶ Decorative cover plate in bright aluminum finish. Matches hardware on pages 38 and 39. Also available in satin aluminum finish.
- ▶ Countersunk holes for secure attachment spaced throughout entire hinge for more even weight distribution along the full height of door
- ▶ Full length knuckle minimizes sight gap for increased privacy
- ▶ Available in 54" and 57" versions
- ▶ Mini-hinges (11" long) available for making small functional displays. Use for your salesman or send to an architect. One available free on request with every 48 hinges purchased.

Mounting Directions:

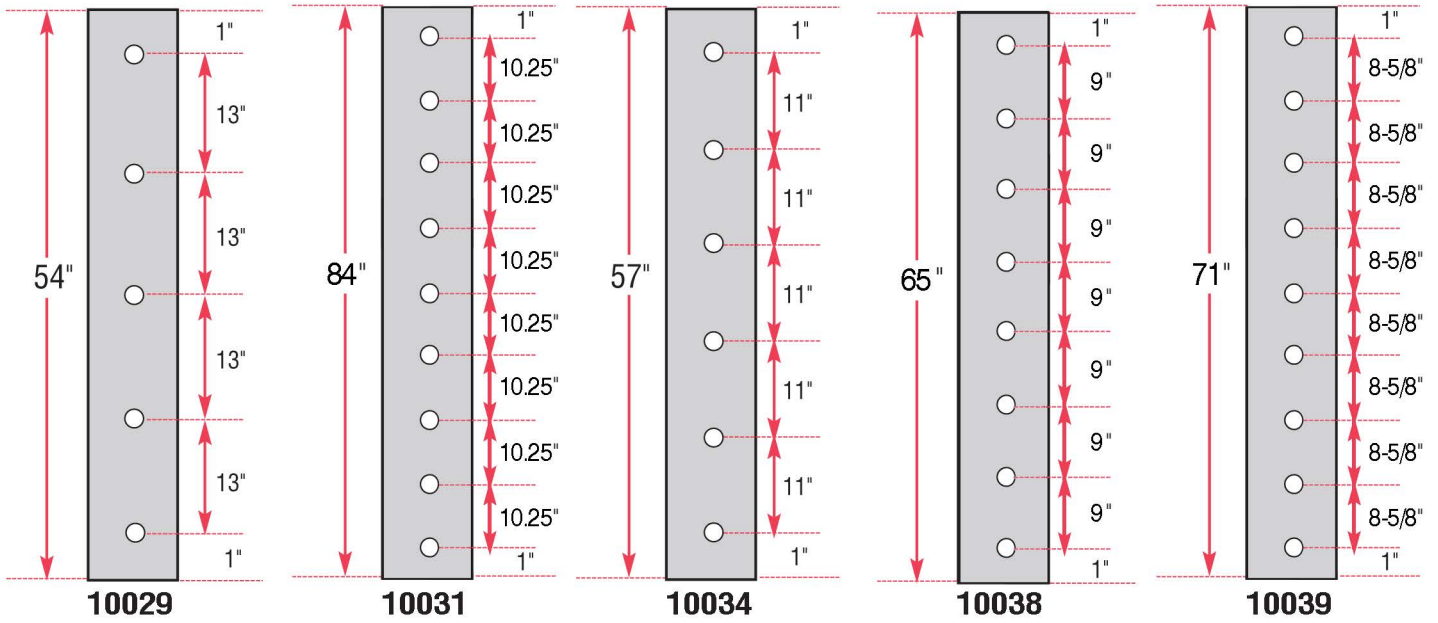
1. Position hinge with knuckles facing you
2. Side that lifts up mounts to the door
3. Remove cover plates before installing the hinge
4. Leave top and bottom bolt out until covers are in place



Non-rising Hinges



Hole positions and overall lengths:

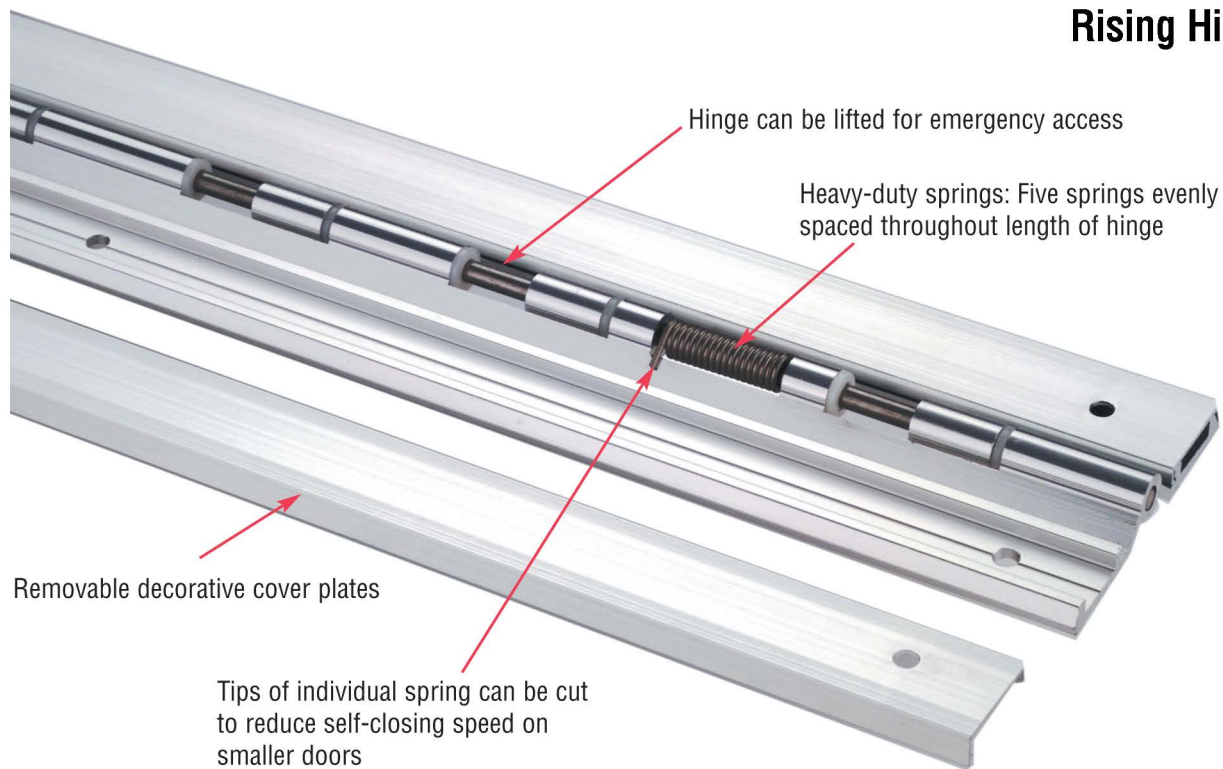


Hinge Part #	Replacement Cover Plates	Finish	Length	Quantity Per Carton
10029	10032	Bright	54"	10
10031	10033	Bright	84"	6
10034	10035	Bright	57"	10
10036	—	Bright	72"	6
10037	—	Bright	47"	10

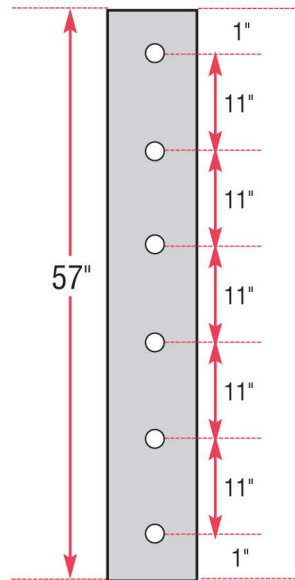
Hinge Part #	Replacement Cover Plates	Finish	Length	Quantity Per Carton
10038	—	Bright	65"	6
10039	10040	Bright	71"	6
10042	—	Bright	78"	6
10043	—	Bright	69"	6

See page 6 for definition and diagram of left & right hinges.

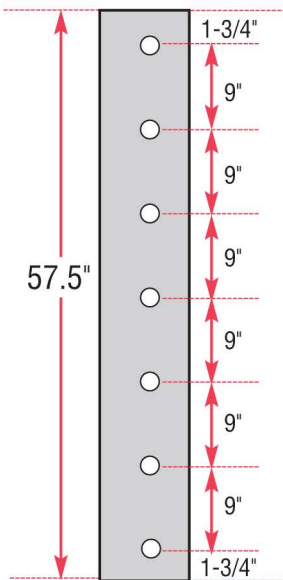
Rising Hinges



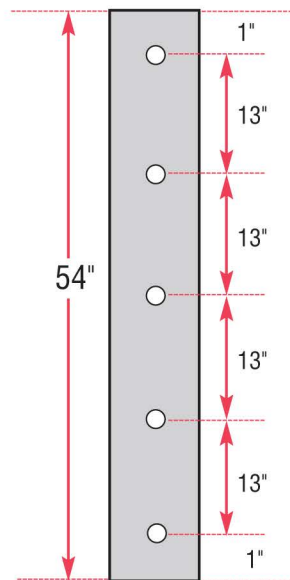
Hole positions and overall lengths:



10020/10021



10024/10025



10026/10027

Part #	Type	Finish	Length	Quantity per carton	Carton Dimensions	Carton Wt
10020	Right	Bright	57"	6	57.5" x 7" x 4"	37.7 lbs
10021	Left	Bright	57"	6	57.5" x 7" x 4"	37.7 lbs
10022	Right	Bright	11"	—	—	—
10023	Left	Bright	11"	—	—	—
10024	Right	Satin	57.5"	6	57.5" x 7" x 4"	37.7 lbs
10025	Left	Satin	57.5"	6	57.5" x 7" x 4"	37.7 lbs
10026	Right	Bright	54"	6	57" x 7.5" x 4"	37.5 lbs
10027	Left	Bright	54"	6	57" x 7.5" x 4"	37.5 lbs

See page 6 for definition and diagram of left & right hinges.

HARRIS HARDWARE'S ALUMINUM HINGES FOR TOILET PARTITIONS

- ▶ Designed for the most secure attachment:
 - Full wrap around door
 - Full wrap around pilaster
 - Uses through bolts for attaching (sold separately)
- ▶ Heavy Duty Hinge — 8" height, 3/16" thick aluminum
- ▶ Bright Anodized Finish
- ▶ Fully and easily adjustable self-closing angle
- ▶ Stainless steel pin with nylon sheath
- ▶ Solid extrusion – no welds
- ▶ Easily changed in field from left to right or right to left
- ▶ Easily changed from fully closed to 30° open stop position. Doors can be set to line up with pilaster or to stay open, when not in use.
- ▶ Rising hinge for emergency access
- ▶ Secure, tamperproof attachments — door cannot be removed except by removing one-way bolts
- ▶ Sold as 1 pair or 1/2 pairs. Add 1/2 pairs for doors wider than 30"

Fasteners for Mounting:

For mounting, we recommend stainless steel one-way through bolts. *These items are sold separately in bulk.*

Order as follows:

For each pair of 28426 order:

- 16 #TP9719 (Pack of 100 = #97193)
- 16 #TP9799 (Pack of 100 = #97993)
- 4 #1x10-FZN

For each pair of 28453 order:

- 16 #TP9719 (Pack of 100 = #97193)
- 8 #TP9799 (Pack of 100 = #97993)
- 8 #TP9819 (Pack of 100 = #98193)
- 4 #1x10-FZN

For each pair of 28460 order:

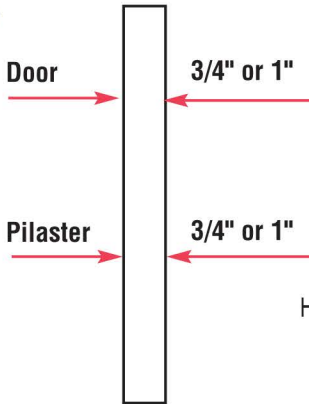
- 16 #TP9829
- 16 #TP9719
- 4 #1x10-FZN

For each pair of 28461 or 28462 order:

- 8 #TP9829
- 8 #TP9719
- 3 #1x10-FZN

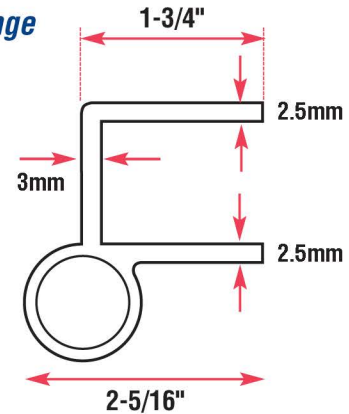
*For details on packaging of fasteners, see page 34.
For mounting instructions, request document #98295.*

Door & Pilaster Thickness:



Hinges come unassembled & can be assembled as lefts or rights

Top View of Hinge Dimensions:

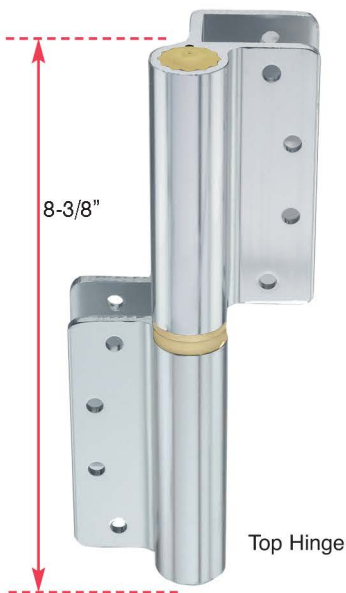


Packaging Information

Part #	Description	Pilaster Thickness	Door Thickness	Master Carton			Inner Box		
				Case Qty.	Dimensions	Cube (in.)	Wt. (lbs.)	Qty.	Wt. (lbs.)
28460	Hinge - 1 pair	1"	1"	20 sets	10" x 15" x 22.5"	3375	48	1 set	2.3
28461	Hinge - 1/2 pair	1"	1"	40 sets	10" x 15" x 22.5"	2880	42	1 set	3.4
28462	Hinge - 1/2 pair	1"	1"	40 sets	10" x 15" x 22.5"	2880	42	1 set	3.4
28426	Hinge - 1 pair	3/4"	3/4"	20 sets	10" x 15" x 22.5"	3465	48	1 set	2.3
28454	Hinge - 1 pair	1"	3/4"	20 sets	10" x 15" x 22.5"	3465	48	1 set	2.3

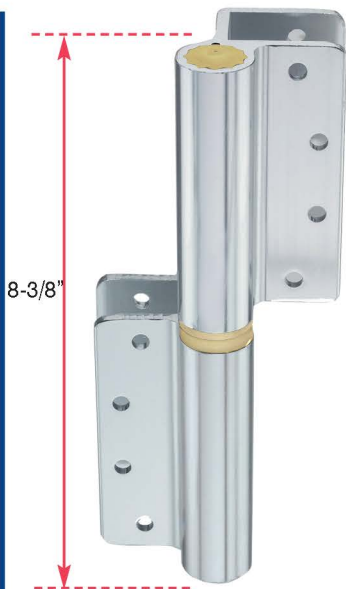
See page 6 for definition and diagram of left & right hinges.

HARRIS HARDWARE'S ALUMINUM HINGES FOR TOILET PARTITIONS

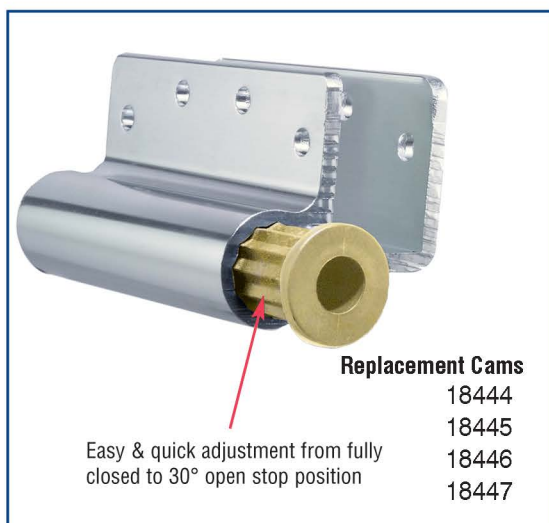
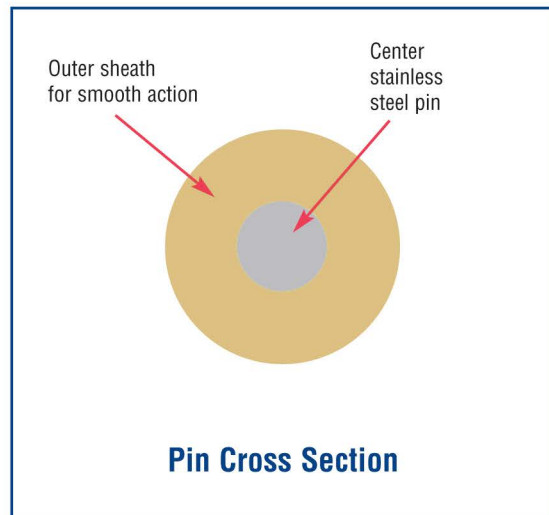
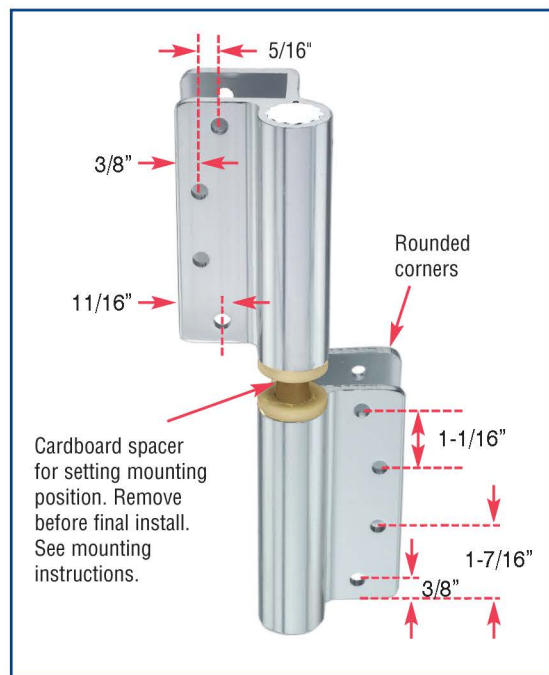


28460
28426
28453

1 Pair



1 Pair + 1/2 Pair



HARRIS HARDWARE'S ALUMINUM HARDWARE FOR TOILET PARTITIONS

Durable and Attractive... Aluminum Full Length Brackets

- ▶ Bright Anodized Finish
- ▶ Durable finish
- ▶ Attractive look
- ▶ Solid extrusions
- ▶ Bright finishes match 8" wrap

Each 57-1/2" bracket has (5) sets of holes. Holes are 13-7/8" center-to-center.

28544 - Dull



19145 - Bright



57-1/2"

28541 - Dull
28542 - Dull
28552 - Bright

28545 - Dull



17647 - Bright



28546 - Dull



28547 - Dull



28546 - Dull
17647 - Bright



12847 - Bright



19247 - Bright



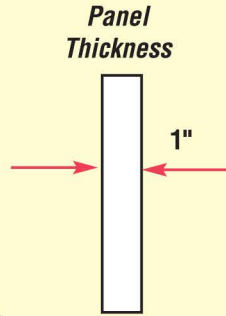
Packaging Information

Part Number	Description		Panel Thickness		Quantity
28541	One Ear Continuous Bracket	57.5" Long	Satin	1/2" Panel	8 pcs
28542	One Ear Continuous Bracket	57.5" Long	Satin	3/4" Panel	8 pcs
28543	Two Ear Continuous Bracket	57.5" Long	Satin	3/4" Panel	6 pcs
28544	Continuous "U" Bracket	57.5" Long	Satin	1/2" Panel	16 pcs
28545	One Ear Continuous Bracket	57.5" Long	Satin	1" Panel	8 pcs
28546	One Ear Continuous Bracket	57.5" Long	Satin	1-1/4" Panel	8 pcs
28547	Two Ear Continuous Bracket	57.5" Long	Satin	1" Panel	8 pcs
28552	One Ear Continuous Bracket	57.5" Long	Bright	3/4" Panel	8 pcs
28553	Two Ear Continuous Bracket	57.5" Long	Bright	3/4" Panel	6 pcs
12847	Two Ear Continuous Bracket	54" Long	Bright	1" Panel	8 pcs
17647	One Ear Continuous Bracket	54" Long	Bright	1" Panel	8 pcs
19145	Continuous "U" Bracket	54" Long	Bright	1" Panel	16 pcs
19247	Continuous "H" Bracket	54" Long	Bright	1" Panel	10 pcs

HARRIS HARDWARE'S ALUMINUM HARDWARE FOR TOILET PARTITIONS

Durable and Attractive... Bright Anodized Finish!

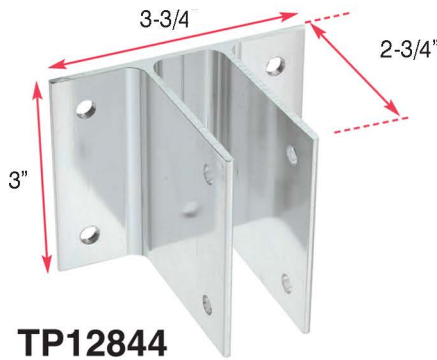
- ▶ Bright Anodized Finish
- ▶ Durable finish
- ▶ Attractive look
- ▶ Solid extrusions
- ▶ Double height brackets for extra strength
- ▶ Finish matches 8" wrap-around hinges 28460, 28461, 28462, 28426 and 28453



Each 54" bracket has (5) sets of holes. Holes are 13" center-to-center.

TP19144

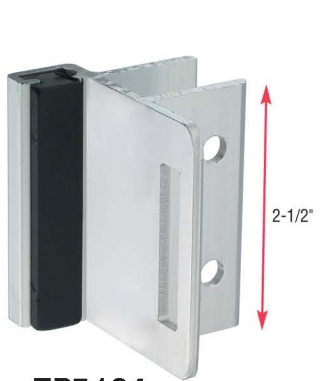
54"



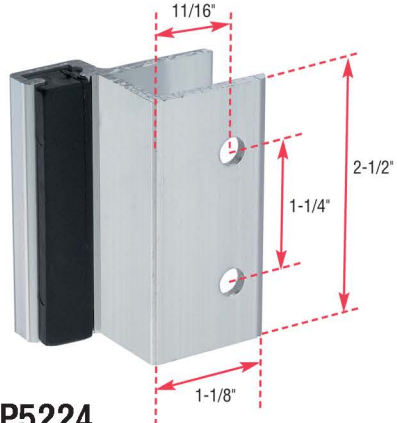
Packaging Information

Part Number	Description	Panel Thickness	Quantity
TP12844	Two Ear Double Height Wall Bracket - 3" Overall Ht	1" Panel	100 pcs
TP17644	One Ear Double Height Wall Bracket - 3" Overall Ht	1" Panel	100 pcs
19143	"U" Double Height Wall Bracket 3" Overall Ht	1" Panel	100 pcs

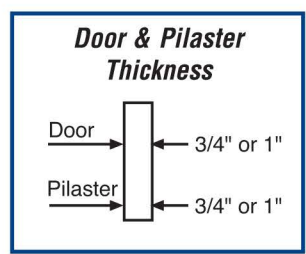
HARRIS HARDWARE'S ALUMINUM HARDWARE FOR TOILET PARTITIONS



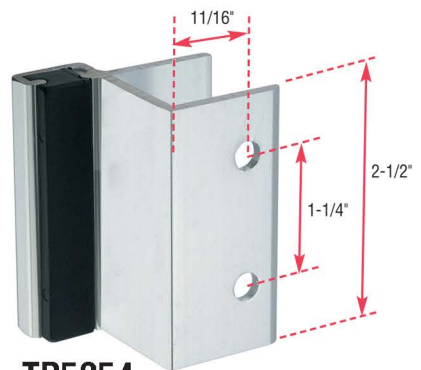
TP5124



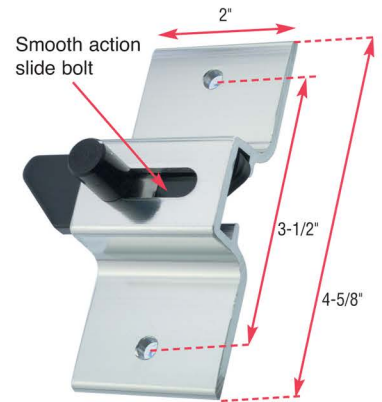
TP5224



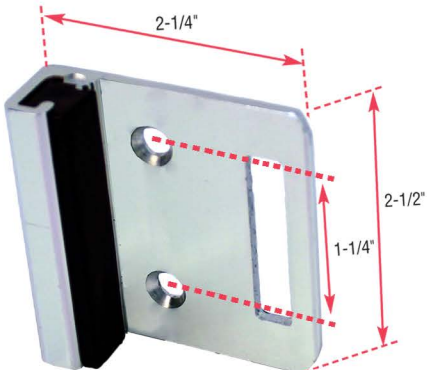
**TP5154
25134**



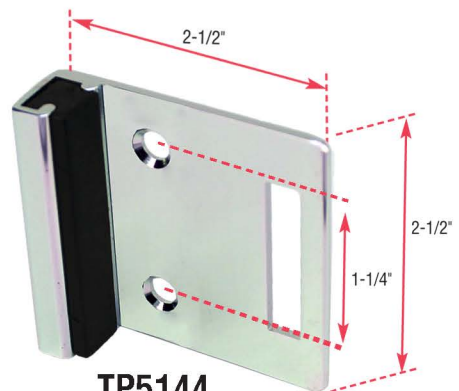
**TP5254
25234**



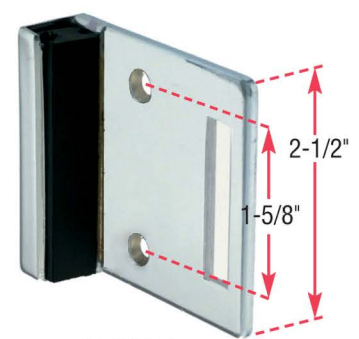
TP5024



25164



TP5144

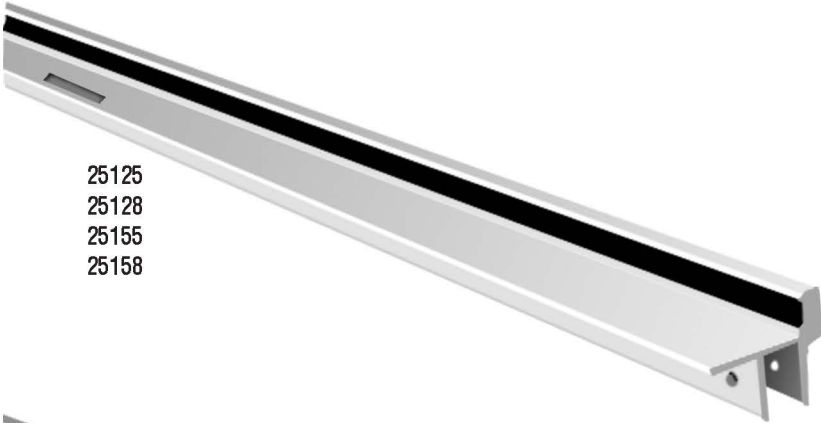
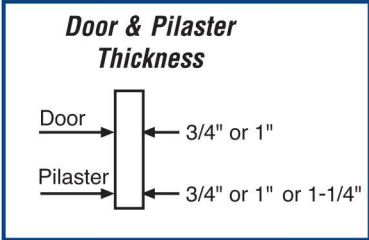


15264

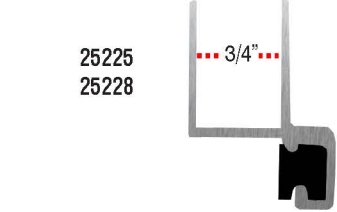
Packaging Information				
Part Number	Description	Pilaster	Door	Quantity
TP5024	Slide Latch	N/A	N/A	100 pcs
TP5124	Inswing Strike & Keeper	3/4"	3/4"	100 pcs
TP5154	Inswing Strike & Keeper	1"	1"	100 pcs
TP5224	Outswing Strike & Keeper	3/4"	3/4"	100 pcs
TP5254	Outswing Strike & Keeper	1"	1"	100 pcs

Packaging Information				
Part Number	Description	Pilaster	Door	Quantity
25134	Inswing Strike & Keeper	1"	3/4"	100 pcs
25234	Outswing Strike & Keeper	1"	3/4"	100 pcs
25164	Inswing Strike & Keeper	—	3/4"	100 pcs
TP5144	Inswing Strike & Keeper	—	1"	100 pcs
15264	Outswing Strike & Keeper	—	Any	100 pcs

HARRIS HARDWARE'S ALUMINUM HARDWARE FOR TOILET PARTITIONS



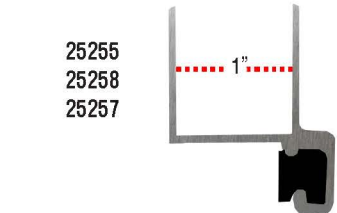
25125
25128
25155
25158



25225
25228



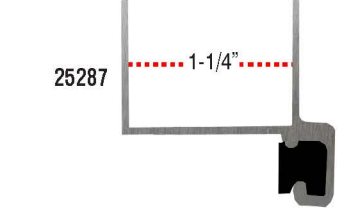
25225
25228
25255
25258



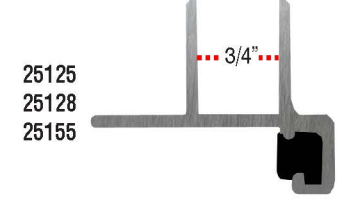
25255
25258
25257



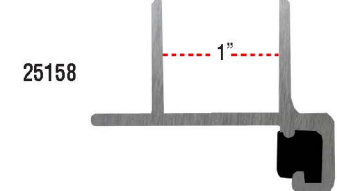
25257
25287



25287



25125
25128
25155



25158

Part #	Type	Stock Status	Pilaster	Door	Finish	Length	Latch type used with this
25125	Inswing	Made to Order	3/4"	3/4"	Bright	57"	TP5024 aluminum slide latch
25225	Outswing	Made to Order	3/4"	3/4"	Bright	57"	TP5024 aluminum slide latch
25128	Inswing	Stock Item	3/4"	3/4"	Satin	57"	TP5029 slide latch
25228	Outswing	Stock Item	3/4"	3/4"	Satin	57"	TP5029 slide latch
25155	Inswing	Made to order	1"	1"	Satin	54"	TP5029 slide latch
25255	Outswing	Made to order	1"	1"	Satin	54"	TP5029 slide latch
25158	Inswing	Stock Item	1"	1"	Bright	54"	TP5024 aluminum slide latch
25258	Outswing	Stock Item	1"	1"	Bright	54"	TP5024 aluminum slide latch
25257	In or Out	Stock Item	1"	1"	Bright	54"	Concealed Latch
25287	In or Out	Stock Item	1-1/4"	1"	Bright	54"	Concealed Latch

HARRIS HARDWARE'S ALUMINUM HARDWARE FOR TOILET PARTITIONS

ALUMINUM ALUMINUM ALUMINUM ALUMINUM ALUMINUM ALUMINUM ALUMINUM ALUMINUM ALUMINUM ALUMINUM

- ▶ Made from durable aluminum
- ▶ Attractive finish
- ▶ Available in four styles for various applications
- ▶ Available in various lengths

Part Numbers and Available Sizes:

Length	TP804 series	TP805 series	TP806 series	TP807 series	TP808 series
2' 8"	TP80428	—	TP80623	—	—
3'	TP80403	—	TP80603	—	—
3' 2"	TP80432	TP80532	—	TP80732	—
3' 7"	TP80437	—	TP80637	—	—
4' 1"	TP80441	—	TP80641	TP80741	—
4' 10"	TP80440	—	TP80640	—	—
5' 2"	TP80452	TP80552	TP80652	TP80752	—
5' 5"	—	—	TP80655	—	—
5' 9"	TP80455	—	TP80659	—	—
6'	TP80406	—	TP80606	—	—
6' 2"	TP80462	TP80562	TP80662	TP80762	—
6' 10"	TP80460	TP80560	TP80660	TP80760	—
8' 1"	TP80408	TP80508	TP80608	—	—
9' 10"	TP80409	TP80509	TP80609	TP80709	—
10'	TP80410	TP80510	TP80610	TP80710	TP80810
12'	TP80412	TP80512	TP80612	TP80712	TP80812

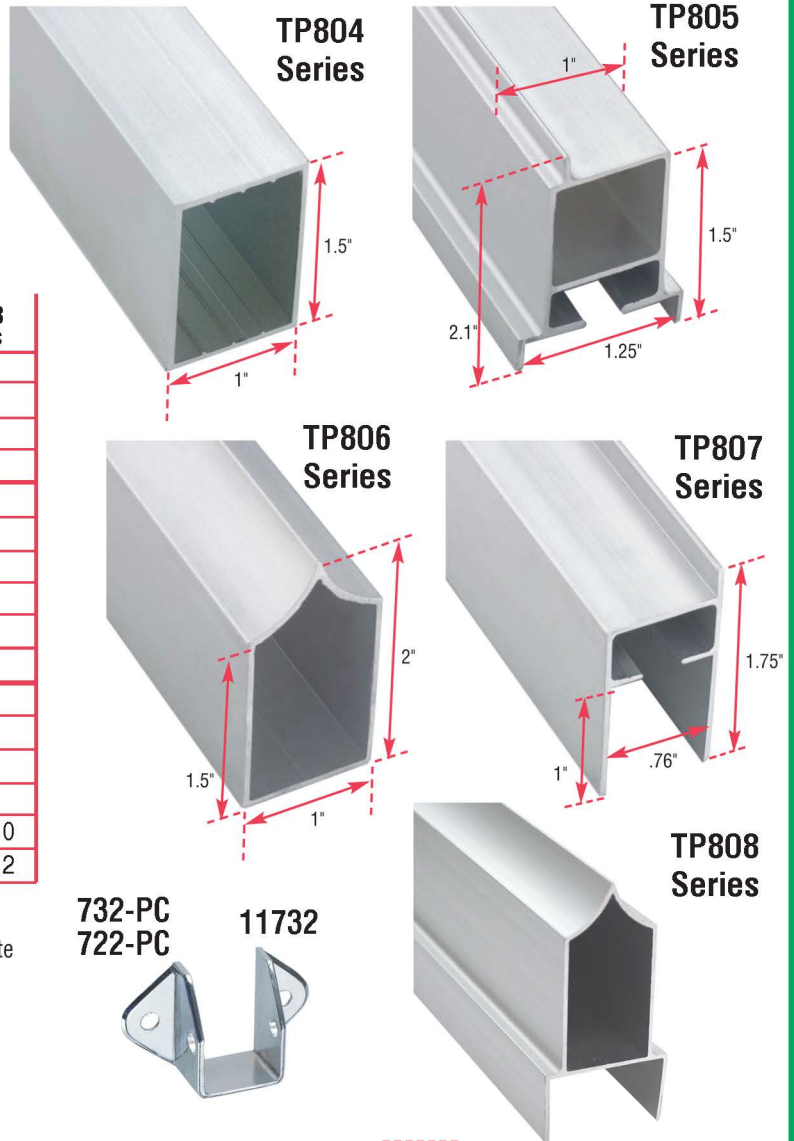
Allow 2 weeks for cutting to length.

TP805 series: Anti-Grip. Typical application: 1-1/4" thick plastic laminate partition. Includes channel for curtain pin.

TP806 series: Anti-Grip. Typical application: 1" thick metal partition.

TP807 series: Anti-Grip. Typical application: 3/4" phenolic partition. Includes channel for curtain pin.

TP808 series: Anti-Grip. For 1-1/4" thick pilaster.

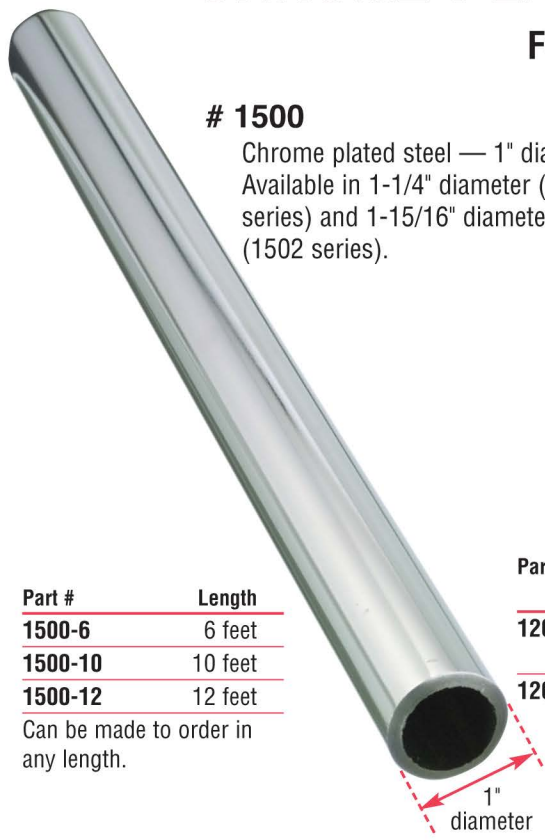


Part #	Description	Quantity
TP6600	End plug for rectangular headrail - Chrome Finish Fits TP804 Series headrails	500
TP6400	Rectangular end plug for headrail - Chrome Finish	500
TP6670	End plug for antigrap headrail - Chrome Finish Fits TP806 series headrails	500
TP7333	1" Stainless Steel Headrail Bracket	500

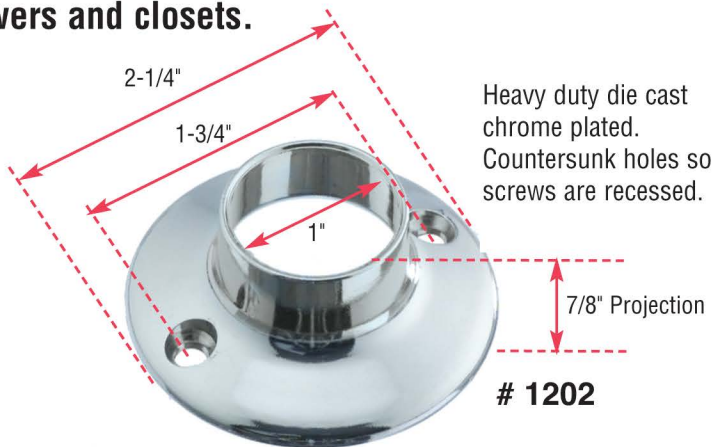
Part #	Description	Quantity
722-PC	1" Zamac Chrome Bracket	500
732-PC	1-1/4" Zamac Chrome Bracket	500
11732	1" Wide Headrail Satin Finish Zamac Bracket	500
11749	1-1/4" Stamped Stainless Headrail Bracket	300

CHROME PLATED RODS AND FLANGES

For showers and closets.



1500
 Chrome plated steel — 1" diameter.
 Available in 1-1/4" diameter (1501 series) and 1-15/16" diameters (1502 series).



Heavy duty die cast chrome plated. Countersunk holes so screws are recessed.

1202

Part #	Length
1500-6	6 feet
1500-10	10 feet
1500-12	12 feet

Can be made to order in any length.

Part #	Description	Master Carton			Inner Box	
		Qty/Case	Case Wt	Case Dimensions	Qty	Wt
1202	Chrome plated zamac. Fits #1500, 1" rods.	500	37 lbs.	10" x 4-3/4" x 4-1/4"	50	3.3 lbs.
1203*	Chrome plated zamac. Fits #1501, 1-1/4" rods.	500	67 lbs.	14"-1/2 x 17-3/4" x 11-3/4"	25	4 lbs.

*Overall diameter 2-5/8"; 3 screw holes for mounting; 7/8" projection.

HARRIS HARDWARE'S FASTENER SELECTION GUIDE

Guide to one-way fastener selection



Item	Pilaster or Panel Thickness	Shoulder Bolt	Barrel Nut
Strike & Keepers — 1-1/4" pilaster	1-1/4"	TP9823	TP9713
Hinge pilaster members — 1-1/4" pilaster	1-1/4"	TP9823	TP9713
7/8" Zamac Brackets	7/8"	TP9793	TP9713
1" Zamac Brackets	1"	TP9803	TP9713
1-1/4" Zamac Brackets	1-1/4"	TP9823	TP9713



Guide to T27 fastener selection



Item	Pilaster or Panel Thickness	Shoulder Bolt	Barrel Nut
Strike & Keepers — 1-1/4" pilaster	1-1/4"	98236	97136
Hinge pilaster members — 1-1/4" pilaster	1-1/4"	98236	97136
7/8" Zamac Brackets	7/8"	97936	97136
1" Zamac Brackets	1"	98036	97136
1-1/4" Zamac Brackets	1-1/4"	98236	97136

HARRIS HARDWARE'S CHROME PLATED FASTENERS

- ▶ Chrome plated steel
- ▶ Tamperproof (one-way) drives
- ▶ Specially designed shoulder on shoulder bolts and barrel nuts to fit partition hardware
- ▶ Shoulder bolts and barrel nuts sold separately but used in sets (1:1 ratio)
- ▶ Stainless steel fasteners available (see page 34)

	 One-way Part #	 T27 Part #	 Phillips Part #	 Unslotted Part #	Quantity per Carton	Thickness x Length	Description
	91110	91936	91130	—	10,000	#10 x 5/8"	Round Head, Chrome Plated, Sheet Metal Screw
	TP9423	—	—	—	7000	8/32 x 1"	Oval Head, Chrome Plated, Machine Screw
	TP9443	—	—	—	6000	8/32 x 1-1/8"	
	TP9463	—	—	—	5000	8/32 x 1-3/8"	
	TP9483	—	—	—	5000	8/32 x 1-5/8"	
	TP9703	97036	—	—	5000	10/24 x 1/2"	Truss Head, Chrome Plated Barrel Nut
	TP9713	97136	—	—	5000	10/24 x 5/8"	
	—	—	—	TP9763	5000	8/32 x 1/2"	Truss Head, Chrome Plated Barrel Nut
	—	—	—	TP9863	5000	10/24 x 1/2"	
	TP9773	97736	—	—	5000	10/24 x 1/2"	Truss Head, Chrome Plated Shoulder Bolt
	TP9783	97836	—	—	5000	10/24 x 3/4"	
	TP9793	97936	—	—	5000	10/24 x 15/16"	
	TP9803	98036	—	—	5000	10/24 x 1-1/16"	
	TP9813	98136	—	—	5000	10/24 x 1-3/16"	
	—	91180	—	—	8000	#14 x 1/2"	Pan Head, Chrome Plated, Hardened, Type A, Sheet Metal Screws
	91120	—	91140	—	8000	#12 x 5/8"	
	91170	91176	91150	—	5000	#14 x 5/8"	
	—	91250	—	—	5000	#14 x 1"	
	—	91210	—	—	4000	#12 x 1-1/2"	
	—	91266	—	—	6000	#14 x 1-3/4"	
	—	91230	—	—	2500	#12 x 2"	
	—	91226	—	—	5000	#14 x 2"	
	—	—	1 x 10-FZN	—	7500	#10 x 1"	Zinc Plated. Flat Head. Hardend, Type A, Sheet Metal Screws
	—	91416	—	—	10,000	14/16	Plastic Anchor

For information on stainless steel fasteners, see page 34.